

PLAN MECHANICAL VIEW

06.0-MDC-HT03-H (REAR CONTROLS)

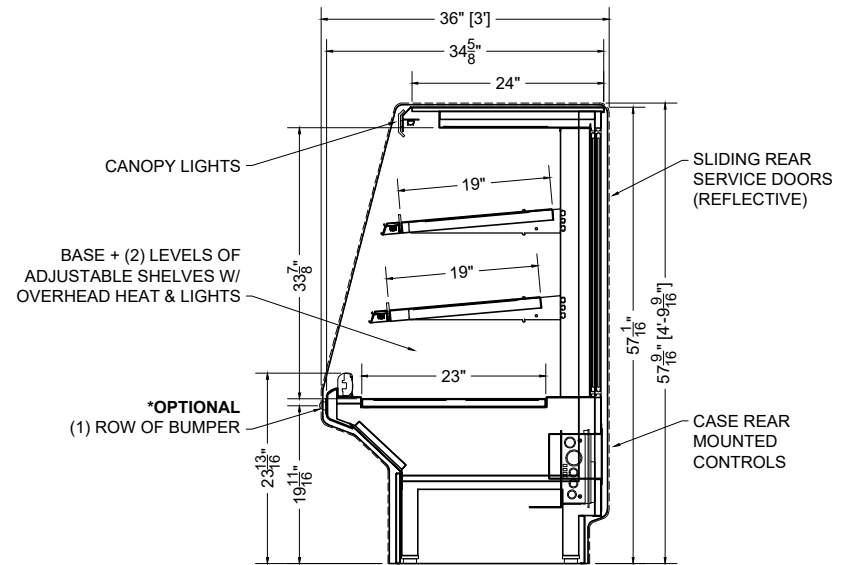
								<i>GRANDE</i>	
QTY	DESCRIPTION	PART NUMBER	VOLTAGE	PHASE	AMPS	TOTAL AMPS	L1	L2	
6	34" LED 3500K, FROSTED, 24V	LG-FX-XXX-X	115V	1	0.07	0.42	0.42	---	
1	FOIL HEATER, CANOPY, 6"	FS-HT-0508-A	208V	1	5.40	5.40	5.40	5.40	
2	FOIL HEATER, SHELF, 6"	FS-HT-0508-A	208V	1	5.40	10.80	10.80	10.80	
2	FOIL HEATER, BASE DECK, 6"	FS-HT-0364-A	208V	1	3.80	7.60	7.60	7.60	

CIRCUIT#1 (LOAD CENTER) TOTAL AMPS: (L1 = 24.22 / L2 = 23.80) VOLTAGE: 208/1/60, 3-WIRE CONNECTION: HARDWIRED
 SHIPPING DIMENSIONS: 84" X 48" X 69" INTERNAL VOLUME: 32.93 CUBIC FT.
 WEIGHT: 1020 LBS

CONFORMS TO UL STD 197.
 CONFORMS TO NSF STD 4.
 CERTIFIED TO CAN/CSA STD C22.2 NO. 120.



IMPORTANT NOTE:
 CUSTOMER TO SET CONTROLLERS IN STORE BASED ON OPTIMUM PRODUCT TEMPERATURE AND STORE ENVIRONMENT



SECTION VIEW

