

PLAN MECHANICAL VIEW

06.0-ODC-TS-R

CANYON

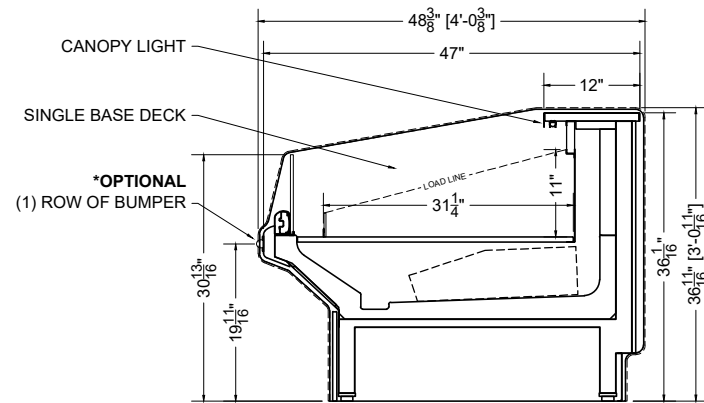
QTY	DESCRIPTION	PART NUMBER	VOLTAGE	PHASE	AMPS	TOTAL AMPS
4	34" LED 3500K, FROSTED, 24V	LG-FX-XXX-X	115V	1	0.07	0.28
3	EVAPORATOR FAN	RF-FA-XXXX	115V	1	0.17	0.51

CIRCUIT#1 (LIGHTS) TOTAL AMPS: 0.28 VOLTAGE: 115/1/60 CONNECTION: HARDWIRED  
 CIRCUIT#2 (FANS) TOTAL AMPS: 0.51 VOLTAGE: 115/1/60 CONNECTION: HARDWIRED  
 MODEL: ODC-TS APPLICATION: DELI BTUH: 3150 EVAP TEMP: 24°F  
 DEFROST: TIME-OFF, 4/40MIN, 47° TEMP TERMINATION

PACKOUT VOLUME: 9.21 CUBIC FT.  
 INTERNAL VOLUME: 17.73 CUBIC FT.

\* OPTIONAL COMPONENT LOAD INCLUDED

CONFORMS TO UL STD 471.  
 CONFORMS TO NSF STD 7.  
 CERTIFIED TO CAN/CSA STD C22.2 NO. 120.



SECTION VIEW

