

06.0-ODC-TS-S (WITH CASTERS, SELF-CONTAINED)

QTY	DESCRIPTION	PART NUMBER	VOLTAGE	PHASE	AMPS	TOTAL AMPS
1	67" LED 3500K, FROSTED, 24V	LG-FX-XXX-X	115V	1	0.13	0.13
3	EVAPORATOR FAN	RF-FA-XXXX	115V	1	0.17	0.51
1	CONDENSATE EVAP PAN / 800W / FULL	EL-EV-XXXX	115V	1	6.67	6.67
1	CONDENSING UNIT	RF-CU-0381-A	115V	1	11.80	11.80

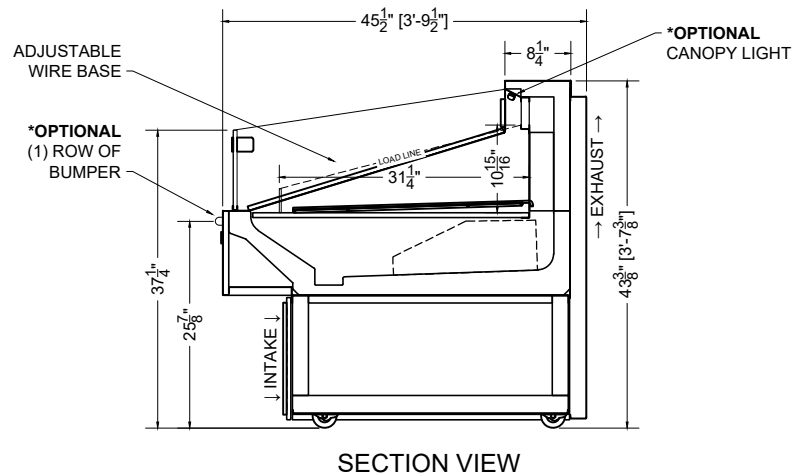
CIRCUIT#1 TOTAL AMPS: 19.11 VOLTAGE: 115V/60 CONNECTION: L5-30P  
PACKOUT VOLUME: 9.21 CUBIC FT.  
INTERNAL VOLUME: 18.97 CUBIC FT.

\* OPTIONAL COMPONENT LOAD INCLUDED

CONFORMS TO UL STD 471.  
CONFORMS TO NSF STD 7.  
CERTIFIED TO CAN/CSA STD C22.2 NO. 120.



GILA



PROJ SPECIFICATION SHEET

Des 06.0-ODC-TS-S Tall Open Display Case (W/ CASTERS, S/C)

Name AME Dwg# 037925 Rev #01- 12/12/23

CONFIDENTIAL DOCUMENT: THIS DRAWING IS CONFIDENTIAL AND THE PROPERTY OF SOUTHERN CASEARTS, INC AND IS NOT TO BE REPRODUCED OR EXCHANGED WITH ANY OTHER PERSON OR COMPANY WITHOUT THE EXPRESS WRITTEN CONSENT OF SOUTHERN CASEARTS, INC.

COPYRIGHT ©2023 SOUTHERN CASEARTS, INC. ALL RIGHTS RESERVED

1/2" = 1"

DRAWING DETAILS SUBJECT TO CHANGE DURING THE ENGINEERING PROCESS



SOUTHERN CaseArts