

06.2-CMI-PC-A (WITH CASTERS)

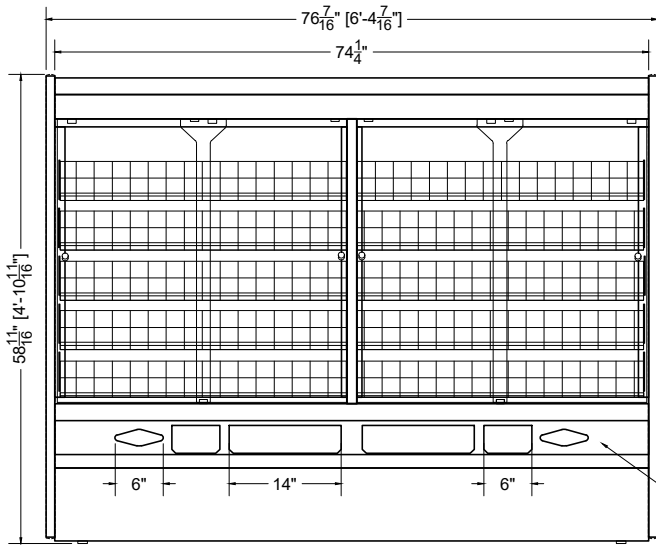
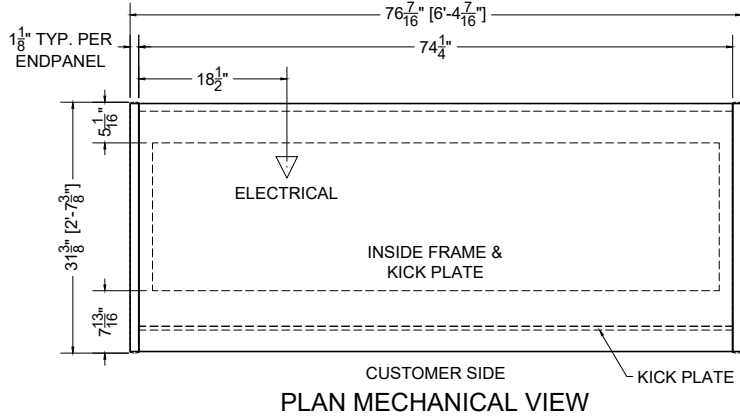
BIRCH

QTY	DESCRIPTION	PART NUMBER	VOLTAGE	PHASE	AMPS	TOTAL AMPS
10	34" LED 3500K, FROSTED, 24V	LG-FX-XXX-X	115V	1	0.07	0.70
2	VENT FAN	AFXXX	115V	1	0.24	0.48

CIRCUIT#1 (LIGHTS) TOTAL AMPS:0.70 VOLTAGE:115/1/60 CONNECTION:HARDWIRED
 CIRCUIT#2 (FANS) TOTAL AMPS:0.48 VOLTAGE:115/1/60 CONNECTION:HARDWIRED
 MODEL:CMI-PC APPLICATION:AMBIENT BTUH:0 EVAP TEMP: N/A
 DEFROST:N/A
 SHIPPING DIMENSIONS: 88" X 48" X 69"
 WEIGHT: 900 LBS

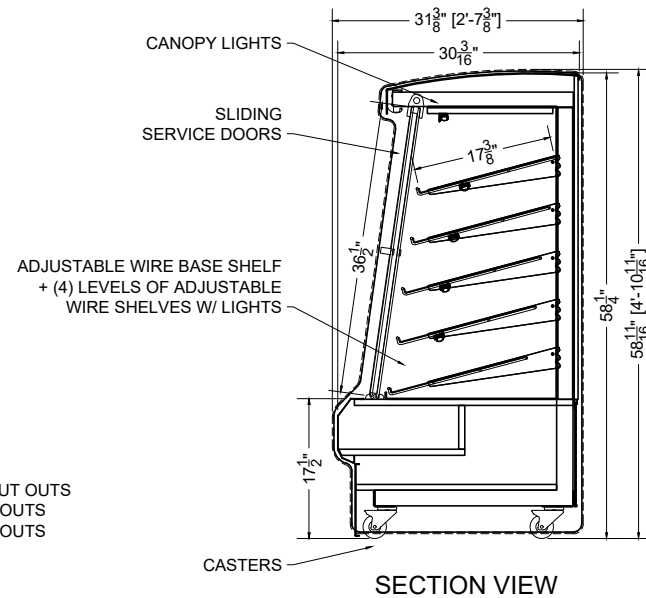
INTERNAL VOLUME: 30.09 CUBIC FT.

CONFORMS TO UL STD 65.
 CONFORMS TO NSF STD 2.



FRONT VIEW

- (2) TISSUE DISPENSER CUT OUTS
- (2) BAG DISPENSER CUT OUTS
- (2) BOX DISPENSER CUT OUTS



SECTION VIEW

PROJ SPECIFICATION SHEET

Des 06.2-CMI-PC-A Pastry Case (W/ CASTERS)

Name AME Dwg# 038089 Rev #01- 02/13/24

CONFIDENTIAL DOCUMENT: THIS DRAWING IS CONFIDENTIAL AND THE PROPERTY OF SOUTHERN CASEARTS, INC AND IS NOT TO BE REPRODUCED OR EXCHANGED WITH ANY OTHER PERSON OR COMPANY WITHOUT THE EXPRESS WRITTEN CONSENT OF SOUTHERN CASEARTS, INC.

COPYRIGHT ©2024 SOUTHERN CASEARTS, INC. ALL RIGHTS RESERVED

1/2" = 1"

DRAWING DETAILS SUBJECT TO CHANGE DURING THE ENGINEERING PROCESS



SOUTHERN CaseArts