

PLAN MECHANICAL VIEW

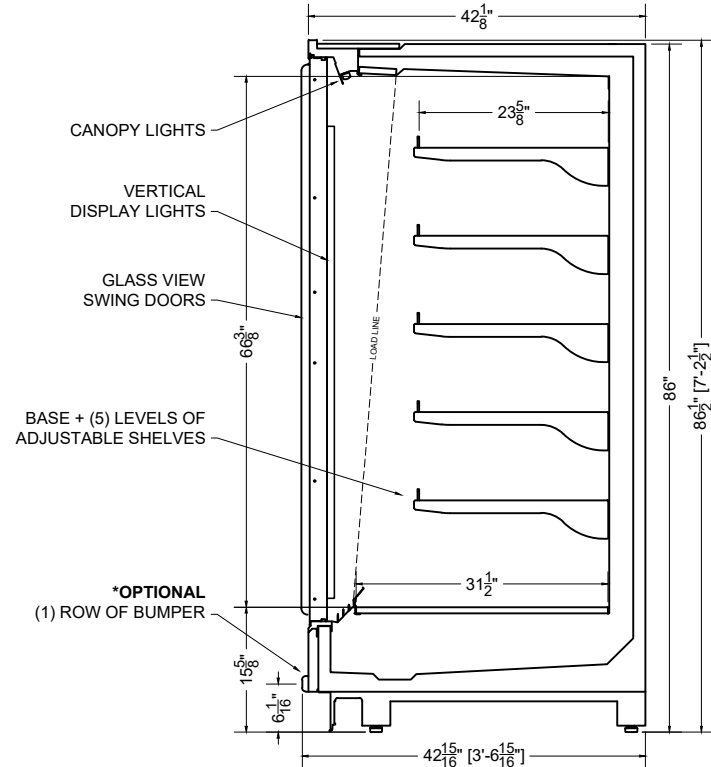
06.2-MDD-87ADM-R (3 DOOR)

QTY	DESCRIPTION	PART NUMBER	VOLTAGE	PHASE	AMPS	TOTAL AMPS
2	33" LED 4000K 24V	LG-FX-XXX-X	115V	1	0.38	0.75
4	59" LED 4000K 24V	LG-FX-XXX-X	115V	1	0.67	2.67
3	EVAPORATOR FAN	AFXXX	115V	1	0.20	0.60

PLATTE

CIRCUIT#1 (LIGHTS)	TOTAL AMPS: 3.42	VOLTAGE: 115/1/60	CONNECTION: HARDWIRED
CIRCUIT#2 (FANS)	TOTAL AMPS: 0.60	VOLTAGE: 115/1/60	CONNECTION: HARDWIRED
MODEL: MDD-87ADM	APPLICATION: DELI	BTUH: 4862	EVAP TEMP: 14°F
DEFROST: TIME-OFF, 4/45MIN, 50° TEMP TERMINATION			

PACKOUT VOLUME: 82.26 CUBIC FT.
INTERNAL VOLUME: 100.75 CUBIC FT.



SECTION VIEW

PROJ SPECIFICATION SHEET

DES 06.2-MDD-87ADM-R Refrigerated Multi-Deck (3 DOOR)

NAME AME DWG# 038092 REV #IR- 02/16/24

CONFIDENTIAL DOCUMENT: THIS DRAWING IS CONFIDENTIAL AND THE PROPERTY OF SOUTHERN CASEARTS, INC AND IS NOT TO BE REPRODUCED OR EXCHANGED WITH ANY OTHER PERSON OR COMPANY WITHOUT THE EXPRESS WRITTEN CONSENT OF SOUTHERN CASEARTS, INC.

COPYRIGHT ©2024 SOUTHERN CASEARTS, INC. ALL RIGHTS RESERVED

1/2" = 1'

DRAWING DETAILS SUBJECT TO CHANGE DURING THE ENGINEERING PROCESS



SOUTHERN CaseArts