

PLAN MECHANICAL VIEW

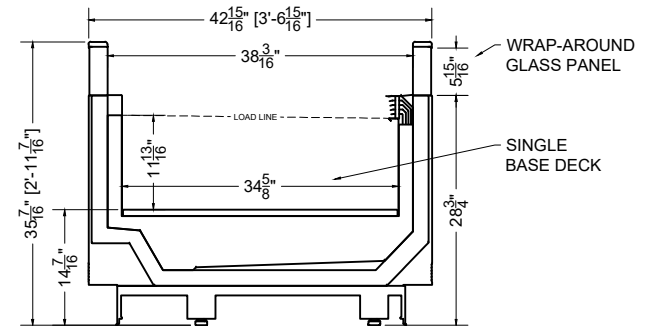
06.2-SAR-35TSDO-R

SIERRA

QTY	DESCRIPTION	PART NUMBER	VOLTAGE	PHASE	AMPS	TOTAL AMPS
2	EVAPORATOR FAN	AFXXX	208-230V	1	0.10	0.20
2	DRAIN HEATERS	--	208-230V	1	0.75	1.50
2	ANTI-COND. HEATERS (SIDE)	--	208-230V	1	0.20	0.40
2	ANTI-COND. HEATERS (FRONT & REAR)	--	208-230V	1	0.40	0.80
3	DEFROST HEATERS	--	208-230V	1	2.39	7.16

CIRCUIT#1 TOTAL AMPS: 10.06 VOLTAGE: 208-230/1/60 CONNECTION: HARDWIRED
 MODEL: SAR-35TSDO APPLICATION: FROZEN BTUH: 2879 EVAP TEMP: -31°F
 DEFROST: TIME-OFF, 4/45MIN, 50° TEMP TERMINATION
 * R290 (PROPANE) REFRIGERATION AVAILABLE

PACKOUT VOLUME: 18.26 CUBIC FT.
 INTERNAL VOLUME: 32.57 CUBIC FT.



SECTION VIEW

PROJ SPECIFICATION SHEET

Des 06.2-SAR-35TSDO-R Single Deck Island Freezer

Name AME Dwg# 038157 Rev #IR- 03/04/24

CONFIDENTIAL DOCUMENT: THIS DRAWING IS CONFIDENTIAL AND THE PROPERTY OF SOUTHERN CASEARTS, INC AND IS NOT TO BE REPRODUCED OR EXCHANGED WITH ANY OTHER PERSON OR COMPANY WITHOUT THE EXPRESS WRITTEN CONSENT OF SOUTHERN CASEARTS, INC.

COPYRIGHT ©2024 SOUTHERN CASEARTS, INC. ALL RIGHTS RESERVED

1/2" = 1'

DRAWING DETAILS SUBJECT TO CHANGE DURING THE ENGINEERING PROCESS



SOUTHERN CaseArts