

PLAN MECHANICAL VIEW

06.2-SAR-41TSDS-S (SELF-CONTAINED, WITH DOORS)

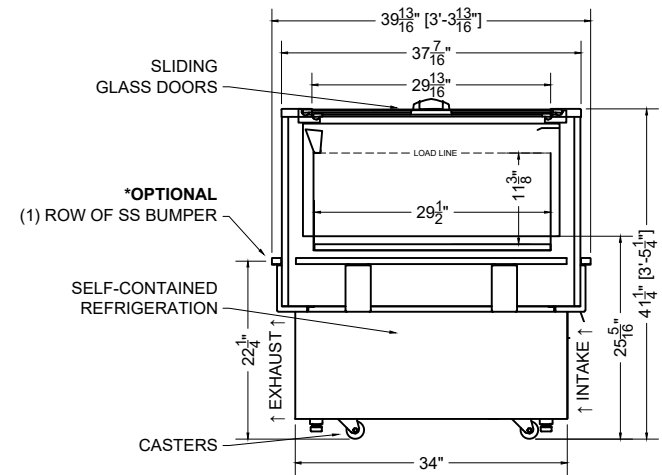
CIBOLA

QTY	DESCRIPTION	PART NUMBER	VOLTAGE	PHASE	AMPS	TOTAL AMPS
2	EVAPORATOR FAN	AFXXX	208-230V	1	0.08	0.16
2	COMPRESSOR	---	208-230V	1	2.31	4.62
2	CONDENSER COIL FAN MOTOR	---	208-230V	1	0.10	0.20
1	EVAP PAN	---	208-230V	1	1.82	1.82
1	DRAIN HEATERS	---	208-230V	1	1.59	1.59
1	ANTI-COND. HEATERS	---	208-230V	1	0.91	0.91
2	DEFROST HEATERS	---	208-230V	1	6.82	13.64

*NOT INCLUDED IN TOTAL

CIRCUIT#1 TOTAL AMPS: 22.94 VOLTAGE: 208-230/1/60 CONNECTION: 6-30P
 * NOT ALL ELECTRICAL COMPONENTS RUN CONCURRENTLY (COMPRESSOR WILL NOT RUN DURING DEFROST)
 MODEL: SAR-41TSDS APPLICATION: DUAL BTUH: 2375/3364 EVAP TEMP: -31/14°F
 DEFROST: TIME-OFF, 4/45MIN, 50° TEMP TERMINATION
 * R290 (PROPANE) REFRIGERATION AVAILABLE

PACKOUT VOLUME: 14.57 CUBIC FT.
 INTERNAL VOLUME: 20.26 CUBIC FT.



SECTION VIEW

