

PLAN MECHANICAL VIEW

06.2-SCS-49ASIL-S (SELF-CONTAINED)

HEMLOCK

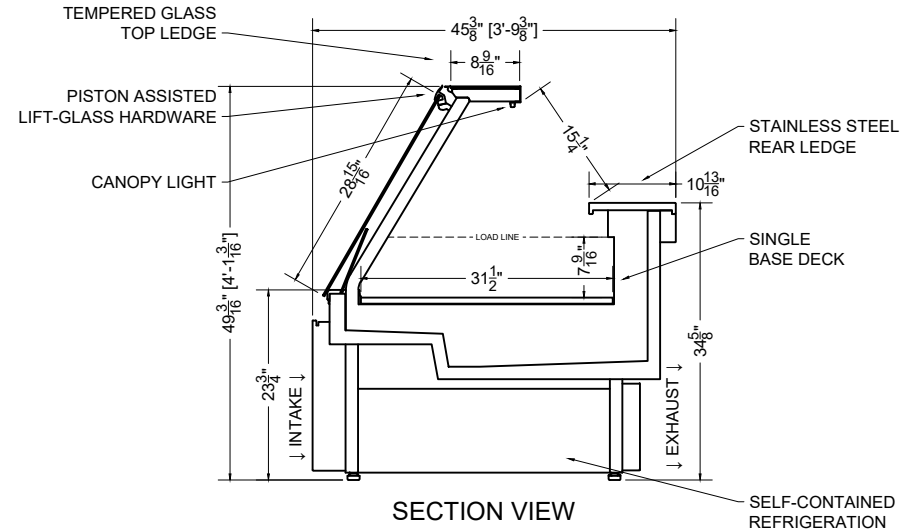
QTY	DESCRIPTION	PART NUMBER	VOLTAGE	PHASE	AMPS	TOTAL AMPS
2	34" LED 2700K, 24V	LG-FX-XXX-X	115V	1	0.38	0.75
2	EVAPORATOR FAN	AFXXX	115V	1	0.20	0.40
2	AIR SWEEP FAN	AFXXX	115V	1	0.08	0.16
1	COMPRESSOR	---	115V	1	4.22	4.22
1	CONDENSER COIL FAN MOTOR	---	115V	1	0.20	0.20
1	EVAP PAN	---	115V	1	6.09	6.09
1	GLASS HEATER	---	115V	1	3.48	3.48

CIRCUIT#1 TOTAL AMPS: 15.30  
 MODEL: SCS-49ASIL APPLICATION: FRESH MEAT  
 DEFROST: TIME-OFF, 4/45MIN, 50° TEMP TERMINATION

VOLTAGE: 115/1/60  
 BTUH: 3634

CONNECTION: 5-20P  
 EVAP TEMP: 14°F

PACKOUT VOLUME: 9.72 CUBIC FT.  
 INTERNAL VOLUME: 26.12 CUBIC FT.



SECTION VIEW

