

REFRIGERATED WELL CAPACITY:  
(18) HALF-SIZE PANS 4" DEPTH

\*FOOD PAN INCLUSION **OPTIONAL**

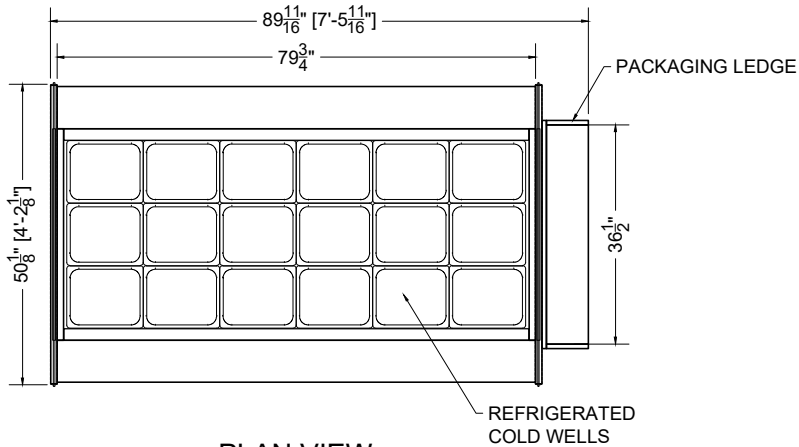
07.5-OVB-S-S (SELF-CONTAINED)

TETON

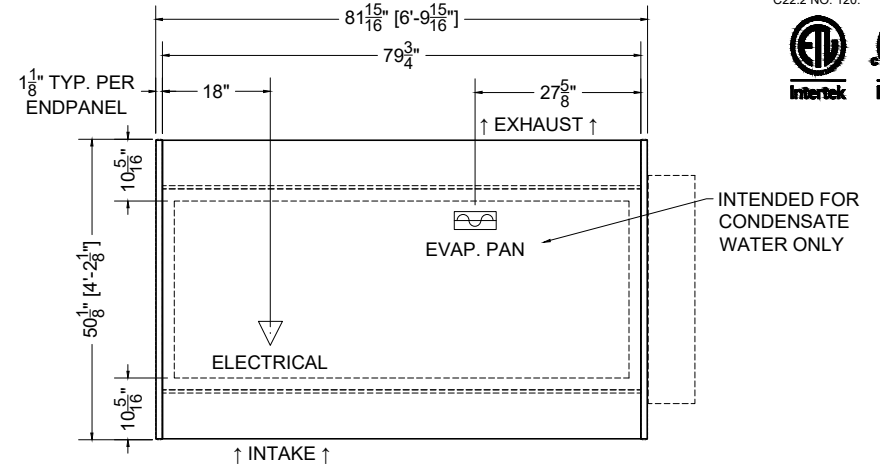
QTY	DESCRIPTION	PART NUMBER	VOLTAGE	PHASE	AMPS	TOTAL AMPS
2	34" LED 3500K, FROSTED, 24V	LG-FX-XXX-X	115V	1	0.07	0.14
2	40" LED 3500K, FROSTED, 24V	LG-FX-XXX-X	115V	1	0.08	0.16
3	EVAPORATOR FAN	RF-FA-XXXX	115V	1	0.17	0.51
1	CONDENSING UNIT	RF-CU-0384-A	208/230V	1	7.60	7.60
1	CONDENSATE EVAP PAN / 1500W / FULL	EL-EV-XXXX	208V	1	7.21	7.21

CIRCUIT#1 TOTAL AMPS: 15.62 VOLTAGE: 208-230/1/60, 3-WIRE CONNECTION: L14-20P  
PACKOUT VOLUME: 8.83 CUBIC FT. INTERNAL VOLUME: 9.63 CUBIC FT.

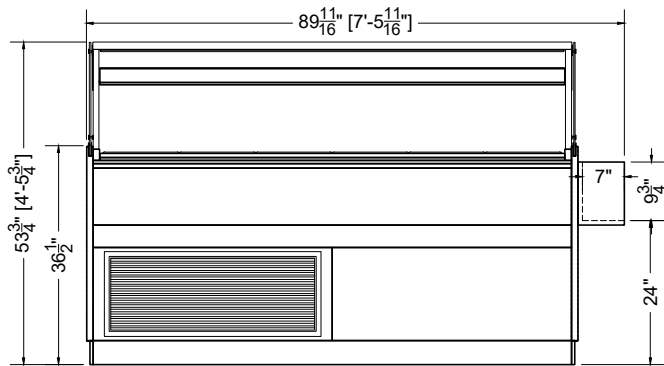
CONFORMS TO UL STD 471.  
CONFORMS TO NSF STD 7.  
CERTIFIED TO CAN/CSA STD C22.2 NO. 120.



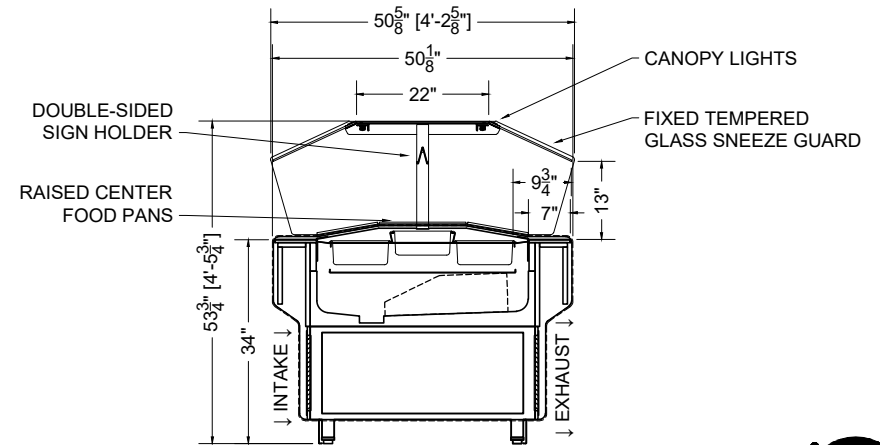
PLAN VIEW



PLAN MECHANICAL VIEW



FRONT VIEW



SECTION VIEW

