

PLAN MECHANICAL VIEW

07.7-MDD-81TNF-R = 3 DOOR

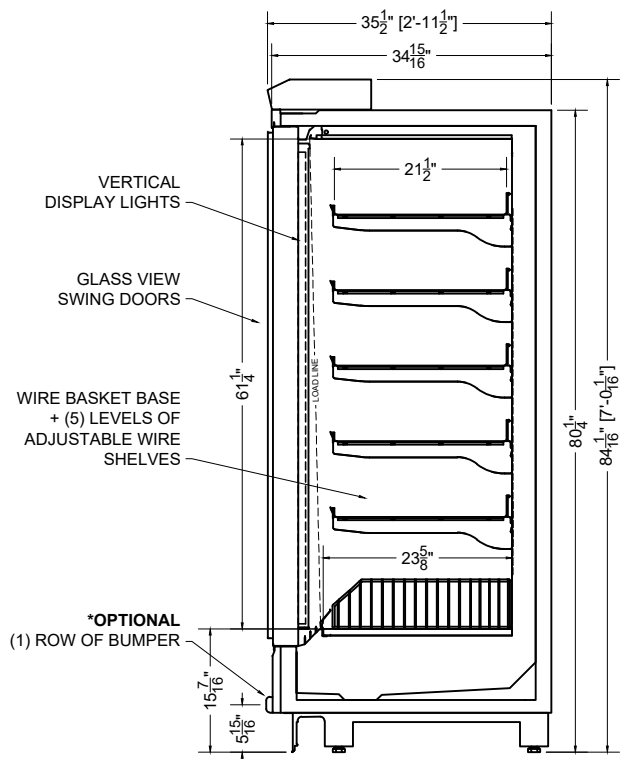
DIABLO

QTY	DESCRIPTION	PART NUMBER	VOLTAGE	PHASE	AMPS	TOTAL AMPS
6	59" LED 4000K 24V	LG-FX-XXX-X	208-230V	1	0.67	4.00
3	EVAPORATOR FAN	AFXXX	208-230V	1	0.10	0.30
1	DOOR HEATERS	---	208-230V	1	1.73	1.73
1	DEFROST HEATERS	---	208-230V	1	13.64	13.64

CIRCUIT#1 (FANS & DOOR)	TOTAL AMPS:2.03	VOLTAGE:208-230/1/60	CONNECTION:HARDWIRED
CIRCUIT#2 (LIGHTS)	TOTAL AMPS:4.00	VOLTAGE:208-230/1/60	CONNECTION:HARDWIRED
CIRCUIT#3 (DEFROST HEATERS)		VOLTAGE:208-230/1/60	CONNECTION:HARDWIRED
CIRCUIT#4 (DEFROST HEATERS)	TOTAL AMPS:13.64	VOLTAGE:208-230/1/60	CONNECTION:HARDWIRED
CIRCUIT#5 (DEFROST HEATERS)		VOLTAGE:208-230/1/60	CONNECTION:HARDWIRED

MODEL:MDD-81TNF APPLICATION: FROZEN BTUH:5236 EVAP TEMP: -31°F

PACKOUT VOLUME: 80.50 CUBIC FT.
INTERNAL VOLUME: 87.61 CUBIC FT.



SECTION VIEW

PROJ SPECIFICATION SHEET

Des 07.7-MDD-81TNF-R Glass Freezer Case (3 DOOR)

Name AME Dwg# 038124 Rev #01- 02/23/24

CONFIDENTIAL DOCUMENT: THIS DRAWING IS CONFIDENTIAL AND THE PROPERTY OF SOUTHERN CASEARTS, INC AND IS NOT TO BE REPRODUCED OR EXCHANGED WITH ANY OTHER PERSON OR COMPANY WITHOUT THE EXPRESS WRITTEN CONSENT OF SOUTHERN CASEARTS, INC.

COPYRIGHT ©2023 SOUTHERN CASEARTS, INC. ALL RIGHTS RESERVED

1/2" = 1"

DRAWING DETAILS SUBJECT TO CHANGE DURING THE ENGINEERING PROCESS



SOUTHERN CaseArts