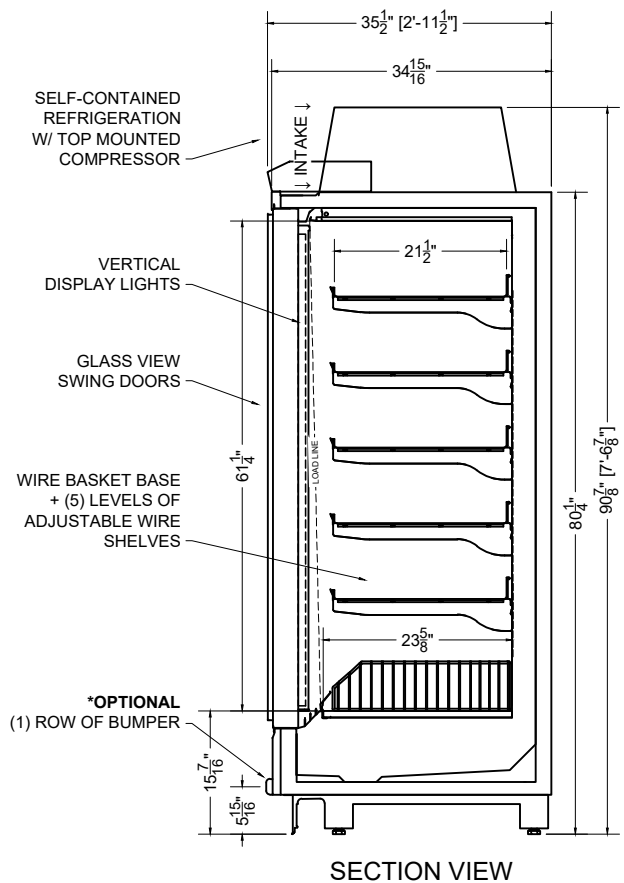


PLAN MECHANICAL VIEW



SECTION VIEW

07.7-MDD-81TNF-S = SELF-CONTAINED, 3 DOOR

DIABLO

QTY	DESCRIPTION	PART NUMBER	VOLTAGE	PHASE	AMPS	TOTAL AMPS
6	59" LED 4000K 24V	LG-FX-XXX-X	208-230V	1	0.67	4.00
3	EVAPORATOR FAN	AFXXX	208-230V	1	0.10	0.30
1	DOOR HEATERS	--	208-230V	1	1.73	1.73
1	DEFROST HEATERS	--	208-230V	1	13.64	13.64
2	COMPRESSOR	--	208-230V	1	5.32	10.64
6	CONDENSER COIL FAN MOTOR	--	208-230V	1	0.10	0.60
1	CONDENSATE PUMP	--	208-230V	1	0.25	0.25
1	EVAP PAN	--	208-230V	1	1.82	1.82

\*NOT INCLUDED IN TOTAL

CIRCUIT#1 TOTAL AMPS: 22.35" VOLTAGE: 208-230/1/60 CONNECTION: 6-50P  
 \* NOT ALL ELECTRICAL COMPONENTS RUN CONCURRENTLY (COMPRESSOR WILL NOT RUN DURING DEFROST)  
 MODEL: MDD-81TNF APPLICATION: FROZEN BTUH: 5236 EVAP TEMP: -31°F  
 DEFROST: TIME-OFF, 4/45MIN, 50° TEMP TERMINATION  
 \* R290 (PROPANE) REFRIGERATION AVAILABLE

PACKOUT VOLUME: 80.50 CUBIC FT.  
 INTERNAL VOLUME: 87.61 CUBIC FT.

