

07.8-LMRM-HA2-S (115V, SELF-CONTAINED)

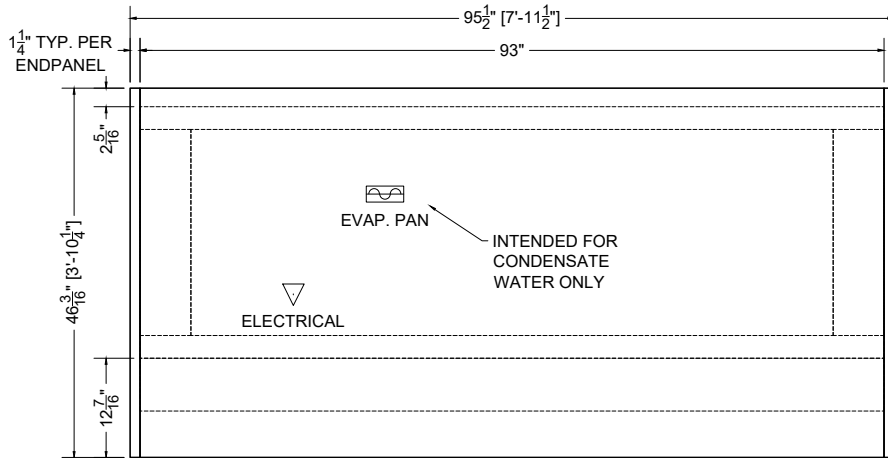
QTY	DESCRIPTION	PART NUMBER	VOLTAGE	PHASE	AMPS	TOTAL AMPS
1	40" LED 3500K FROSTED, 24V	LG-FX-XXX-X	115V	1	0.08	0.08
1	45" LED 3500K FROSTED, 24V	LG-FX-XXX-X	115V	1	0.09	0.09
4	EVAPORATOR FAN	RF-FA-XXXX	115V	1	0.17	0.68
1	CONDENSING UNIT	RF-CU-0473-A	115V	1	12.20	12.20
1	CONDENSATE EVAP PAN / 1200W / FULL	EL-EV-XXXX	115V	1	10.00	10.00

CIRCUIT#1

TOTAL AMPS:23.05

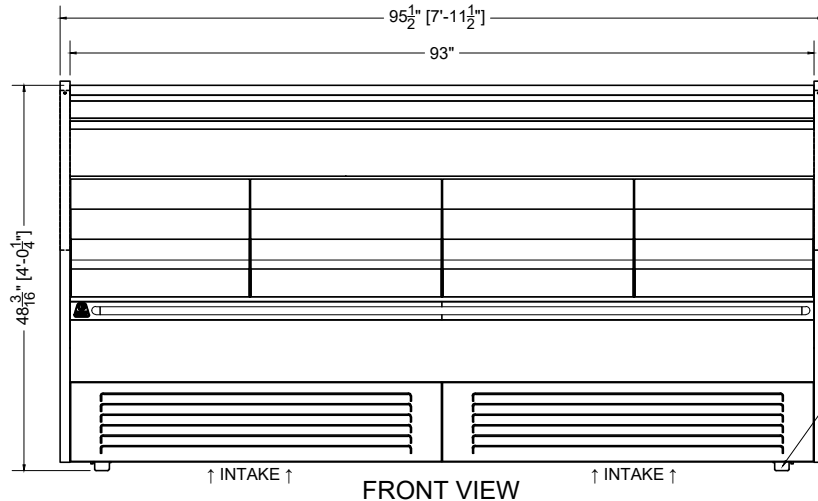
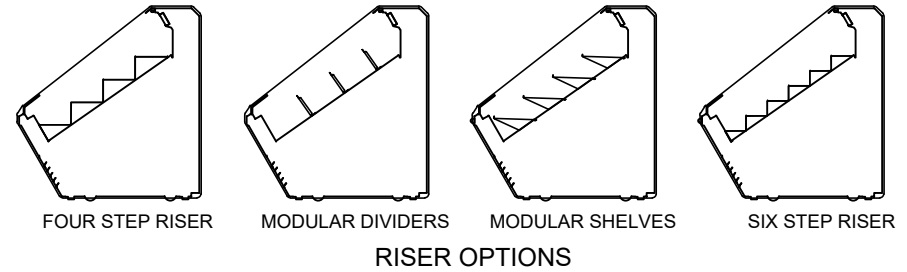
VOLTAGE:115/1/60

CONNECTION:L5-30P

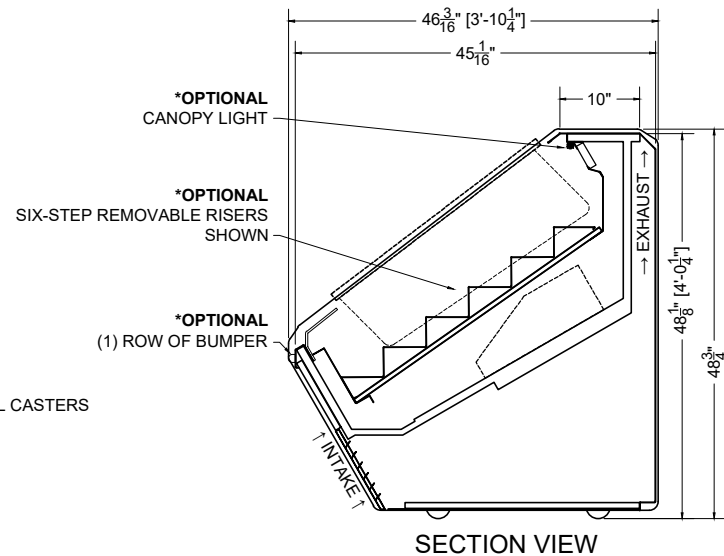


CUSTOMER SIDE
PLAN MECHANICAL VIEW

CONFORMS TO UL STD 471.
CONFORMS TO NSF STD 7.
CERTIFIED TO CAN/CSA STD
C22.2 NO. 120.



FRONT VIEW



SECTION VIEW

