

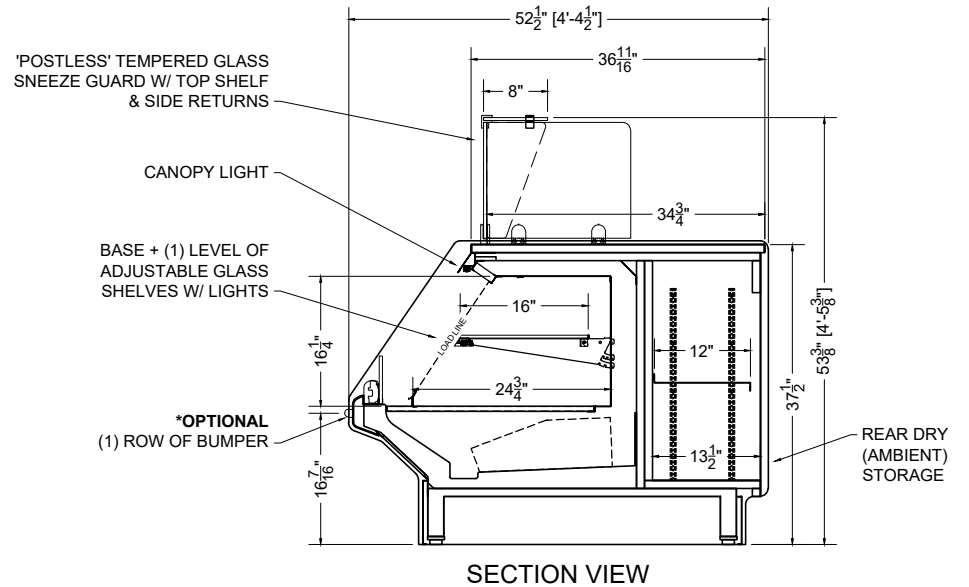
PLAN MECHANICAL VIEW

08.0-BCX-BYWC-R

QTY	DESCRIPTION	PART NUMBER	VOLTAGE	PHASE	AMPS	TOTAL AMPS
6	45° LED 3500K, FROSTED, 24V	LG-FX-XXX-X	115V	1	0.09	0.54
4	EVAPORATOR FAN	RF-FA-XXXX	115V	1	0.17	0.68
CIRCUIT#1 (LIGHTS)		TOTAL AMPS:0.54	VOLTAGE:115/1/60		CONNECTION:HARDWIRED	
CIRCUIT#2 (FANS)		TOTAL AMPS:0.68	VOLTAGE:115/1/60		CONNECTION:HARDWIRED	
MODEL:BCX-BYWC		APPLICATION: BAKERY / PASTRY	BTUH:4000		EVAP TEMP: 22	
DEFROST: TIME-OFF, 4/30MIN, 47° TEMP TERMINATION						

\* OPTIONAL COMPONENT LOAD INCLUDED

CONFORMS TO UL STD 471.  
CONFORMS TO NSF STD 7.  
CERTIFIED TO CAN/CSA STD  
C22.2 NO. 120.



SECTION VIEW

PROJ SPECIFICATION SHEET

08.0-BCX-BYWC-R Self-Service Bakery W/ Work Counter

Name AME Dwg# 037646 Rev #01 - 07/24/23

CONFIDENTIAL DOCUMENT: THIS DRAWING IS CONFIDENTIAL AND THE PROPERTY OF SOUTHERN CASEARTS, INC AND IS NOT TO BE REPRODUCED OR EXCHANGED WITH ANY OTHER PERSON OR COMPANY WITHOUT THE EXPRESS WRITTEN CONSENT OF SOUTHERN CASEARTS, INC.

COPYRIGHT ©2023 SOUTHERN CASEARTS, INC. ALL RIGHTS RESERVED

1/2" = 1'

DRAWING DETAILS SUBJECT TO CHANGE DURING THE ENGINEERING PROCESS



SOUTHERN  
CaseArts