

HOT WELL CAPACITY:
 (5) FULL-SIZE STANDARD PANS 4" DEPTH
 (WET/DRY OPERATION, NO DRAINS)

*FOOD PAN INCLUSION OPTIONAL

CONFORMS TO UL STD 197.
 CONFORMS TO NSF STD 4.
 CERTIFIED TO CAN/CSA STD
 C22.2 NO. 120.

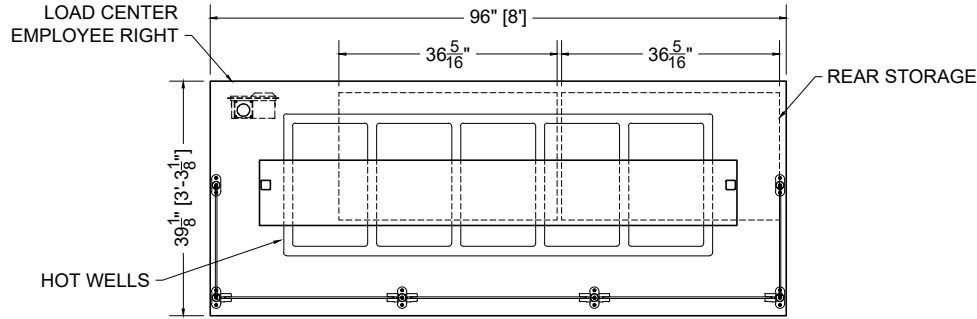


08.0-FSE-CSSS-H

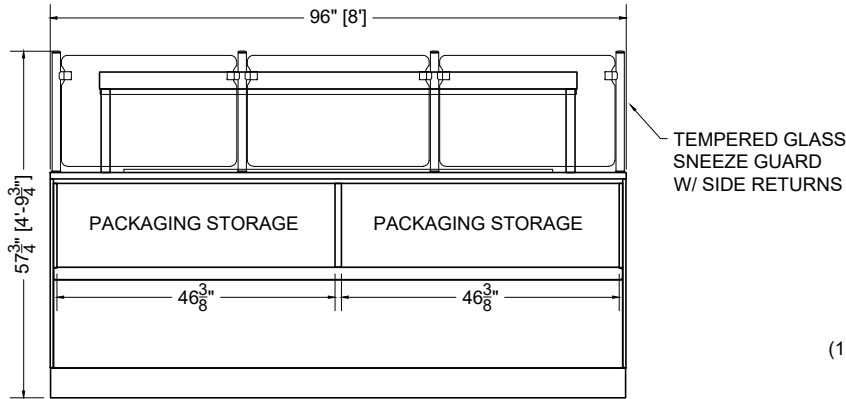
BRYCE

| QTY | DESCRIPTION | PART NUMBER | VOLTAGE | PHASE | AMPS | TOTAL AMPS | L1 | L2 |
|-----|--------------------------------------|------------------|---------|-------|------|------------|-------|-------|
| 5 | 12" LED 3500K, FROSTED, 24V | LG-FX-XXX-X | 115V | 1 | 0.02 | 0.10 | 0.10 | --- |
| 1 | OVERHEAD HEAT, HIGH WATT STRIP, 72" | FS-HT-1000 | 208V | 1 | 8.29 | 8.29 | 8.29 | 8.29 |
| 1 | 5-PAN, FULL-SIZE, HOT WELL, NO DRAIN | FS-HT-0610-A01-A | 208V | 1 | 28.9 | 28.90 | 28.90 | 28.90 |
| 1 | 20A OUTLET, GFI | EL-MS-0397 | 115V | 1 | 20.0 | 20.00 | 20.00 | --- |
| 1 | 20A OUTLET, GFI | EL-MS-0397 | 115V | 1 | 20.0 | 20.00 | --- | 20.00 |

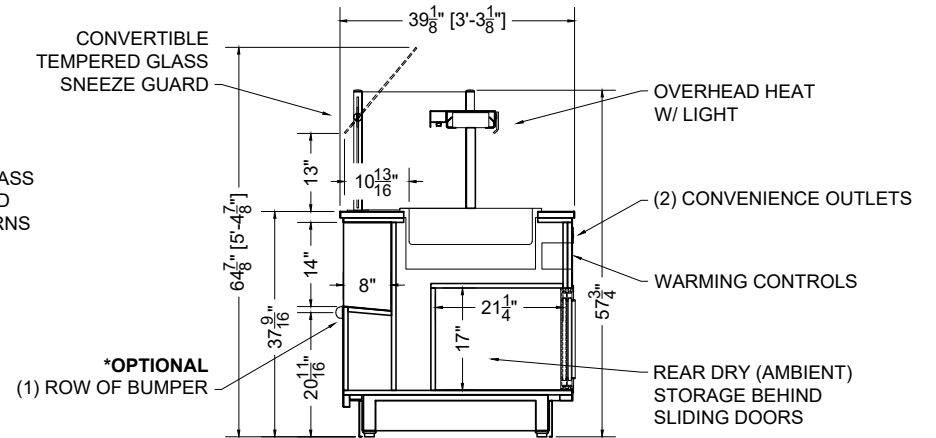
CIRCUIT#1 (LOAD CENTER) TOTAL AMPS:(L1 = 57.29 / L2 = 57.19) VOLTAGE:208/1/60, 3-WIRE CONNECTION:HARDWIRED
 FRONT STORAGE VOLUME: 6.13 CUBIC FT.
 REAR STORAGE VOLUME: 15.17 CUBIC FT.



PLAN VIEW



FRONT VIEW



SECTION VIEW

