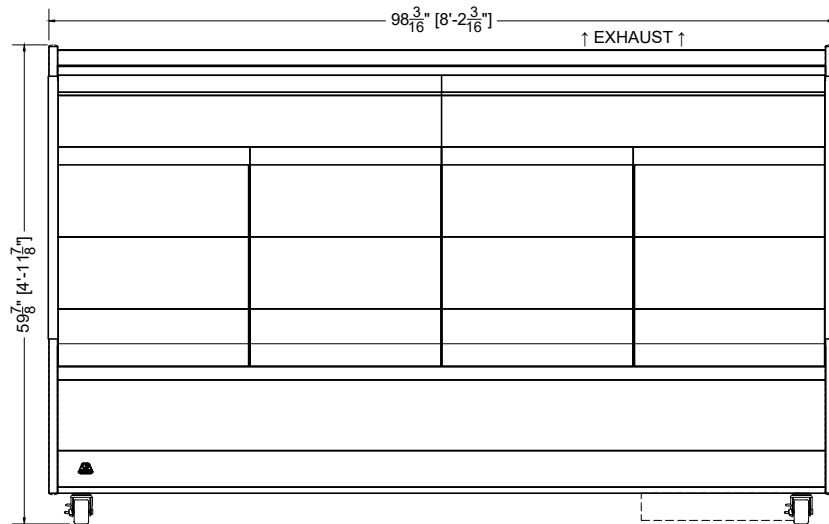


PLAN MECHANICAL VIEW



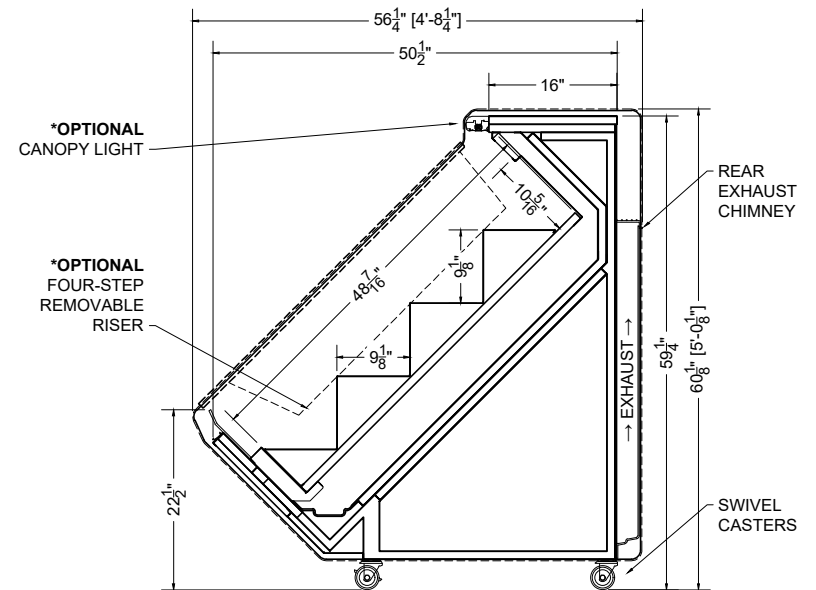
FRONT VIEW

08.0-LMRM-RPC-S PRODUCE DISPLAY (SELF-CONTAINED, 208V) CYPRESS

QTY	DESCRIPTION	PART NUMBER	VOLTAGE	PHASE	AMPS	TOTAL AMPS
2	45" LED 3500K, FROSTED, 24V	LG-FX-XXX-X	115V	1	0.09	0.18
3	EVAPORATOR FAN	RF-FA-XXXX	115V	1	0.17	0.51
1	CONDENSING UNIT	RF-CU-0386-A	208/230V	1	8.10	8.10
1	CONDENSATE EVAP PAN / 1500W / FULL	EL-EV-XXXX	208V	1	7.21	7.21

CIRCUIT#1 TOTAL AMPS: 16.00 VOLTAGE: 208-230/1/60, 3-WIRE CONNECTION: L14-30P
 * OPTIONAL COMPONENT LOAD INCLUDED PACKOUT VOLUME: 23.52 CUBIC FT.
 INTERNAL VOLUME: 43.14 CUBIC FT.

NOTICE: THIS DISPLAY IS NOT FOR THE DISPLAY OF POTENTIALLY HAZARDOUS FOODS.



SECTION VIEW

