

PLAN MECHANICAL VIEW

08.0-MDC-56LD-R

QTY	DESCRIPTION	PART NUMBER	VOLTAGE	PHASE	AMPS	TOTAL AMPS
10	45° LED 3500K, FROSTED, 24V	LG-FX-XXX-X	115V	1	0.09	0.90
4	EVAPORATOR FAN	RF-FA-XXXX	115V	1	0.17	0.68

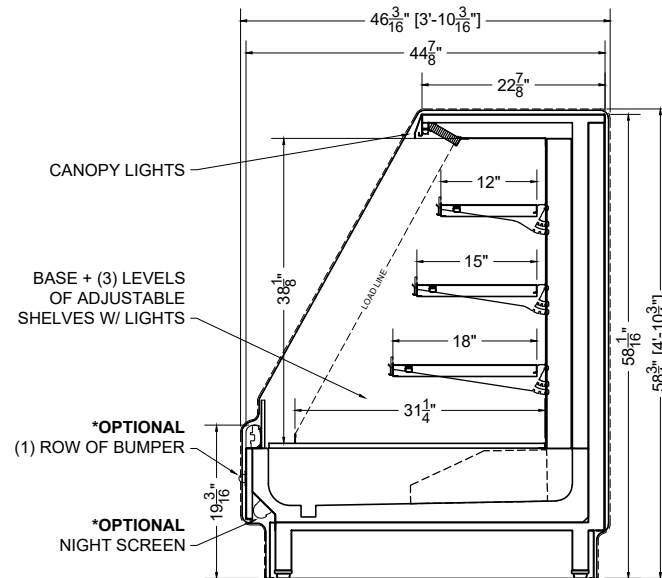
**CIRCUIT#1 (LIGHTS)** TOTAL AMPS: 0.90  
**CIRCUIT#2 (FANS)** TOTAL AMPS: 0.68  
**MODEL:** MDC-56LD APPLICATION: DELI  
**DEFROST:** TIME-OFF, 4/40MIN, 47° TEMP TERMINATION  
**SHIPPING DIMENSIONS:** 112" X 60" X 70"  
**WEIGHT:** 1407 LBS

**VOLTAGE:** 115/1/60 CONNECTION: HARDWIRED  
**VOLTAGE:** 115/1/60 CONNECTION: HARDWIRED  
**BTUH:** 7640 EVAP TEMP: 24°F

**PACKOUT VOLUME:** 45.73 CUBIC FT.  
**INTERNAL VOLUME:** 57.99 CUBIC FT.

\* OPTIONAL COMPONENT LOAD INCLUDED

CONFORMS TO UL STD 471.  
 CONFORMS TO NSF STD 7.  
 CERTIFIED TO CAN/CSA STD C22.2 NO. 120.



SECTION VIEW

PROJ SPECIFICATION SHEET

DESIGN 08.0-MDC-56LD-R Low Nose Deep Multi-Deck

NAME AME DWG# 037727 REV #02 - 09/25/23

CONFIDENTIAL DOCUMENT: THIS DRAWING IS CONFIDENTIAL AND THE PROPERTY OF SOUTHERN CASEARTS, INC AND IS NOT TO BE REPRODUCED OR EXCHANGED WITH ANY OTHER PERSON OR COMPANY WITHOUT THE EXPRESS WRITTEN CONSENT OF SOUTHERN CASEARTS, INC.

COPYRIGHT ©2023 SOUTHERN CASEARTS, INC. ALL RIGHTS RESERVED

1/2" = 1'

DRAWING DETAILS SUBJECT TO CHANGE DURING THE ENGINEERING PROCESS



SOUTHERN CaseArts