

PLAN MECHANICAL VIEW

08.0-MDC-72LD-R

MCKENZIE

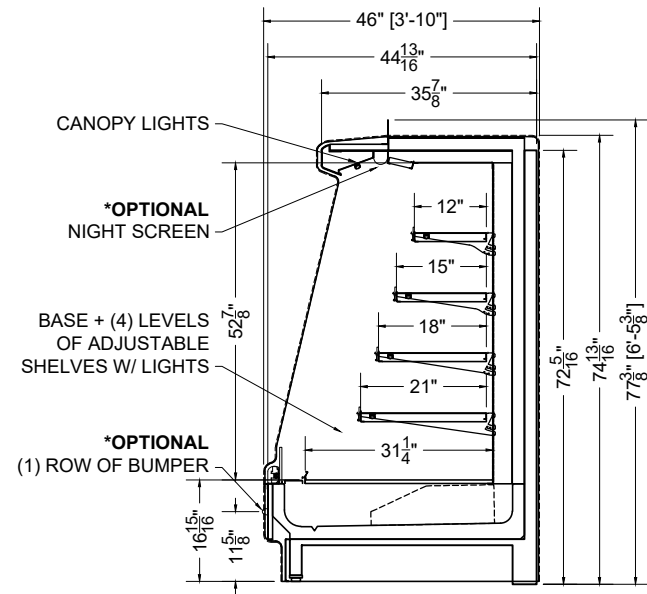
QTY	DESCRIPTION	PART NUMBER	VOLTAGE	PHASE	AMPS	TOTAL AMPS
12	45° LED 3500K, FROSTED, 24V	LG-FX-XXX-X	115V	1	0.09	1.08
4	EVAPORATOR FAN	RF-FA-XXXX	115V	1	0.17	0.68

CIRCUIT#1 (LIGHTS) TOTAL AMPS: 1.08 VOLTAGE: 115/1/60 CONNECTION: HARDWIRED
 CIRCUIT#2 (FANS) TOTAL AMPS: 0.68 VOLTAGE: 115/1/60 CONNECTION: HARDWIRED
 MODEL: MDC-72LD APPLICATION: DELI BTUH: 11600 EVAP TEMP: 24°F
 DEFROST: TIME-OFF, 4/40MIN, 47° TEMP TERMINATION

PACKOUT VOLUME: 66.16 CUBIC FT.
 INTERNAL VOLUME: 89.74 CUBIC FT.

* OPTIONAL COMPONENT LOAD INCLUDED

CONFORMS TO UL STD 471.
 CONFORMS TO NSF STD 7.
 CERTIFIED TO CAN/CSA STD
 C22.2 NO. 120.



SECTION VIEW

