

CUSTOMER SIDE
PLAN MECHANICAL VIEW

08.0-ODC-03S-R

ALLEGHENY

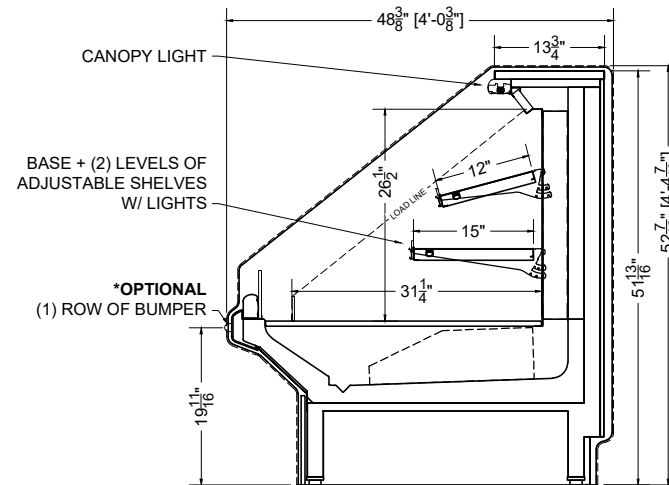
QTY	DESCRIPTION	PART NUMBER	VOLTAGE	PHASE	AMPS	TOTAL AMPS
8	45° LED 3500K, FROSTED, 24V	LG-FX-XXX-X	115V	1	0.09	0.72
4	EVAPORATOR FAN	RF-FA-XXXX	115V	1	0.17	0.68

CIRCUIT#1 (LIGHTS) TOTAL AMPS:0.72 VOLTAGE:115/1/60 CONNECTION:HARDWIRED
 CIRCUIT#2 (FANS) TOTAL AMPS:0.68 VOLTAGE:115/1/60 CONNECTION:HARDWIRED
 MODEL:ODC-03S APPLICATION:DELI BTUH:7136 EVAP TEMP: 22°F
 DEFROST: TIME-OFF, 4/40MIN, 47° TEMP TERMINATION

PACKOUT VOLUME: 26.99 CUBIC FT.
 INTERNAL VOLUME: 37.69 CUBIC FT.

* OPTIONAL COMPONENT LOAD INCLUDED

CONFORMS TO UL STD 471.
 CONFORMS TO NSF STD 7.
 CERTIFIED TO CAN/CSA STD
 C22.2 NO. 120.



SECTION VIEW

