

PLAN MECHANICAL VIEW

08.0-ODC-TS-R

QTY	DESCRIPTION	PART NUMBER	VOLTAGE	PHASE	AMPS	TOTAL AMPS
4	45° LED 3500K, FROSTED, 24V	LG-FX-XXX-X	115V	1	0.09	0.36
4	EVAPORATOR FAN	RF-FA-XXXX	115V	1	0.17	0.68

CIRCUIT#1 (LIGHTS) TOTAL AMPS: 0.36 VOLTAGE: 115/1/60 CONNECTION: HARDWIRED

CIRCUIT#2 (FANS) TOTAL AMPS: 0.68 VOLTAGE: 115/1/60 CONNECTION: HARDWIRED

MODEL: ODC-TS APPLICATION: DELI BTUH: 6600 EVAP TEMP: 24°F

DEFROST: TIME-OFF, 4/40MIN, 47° TEMP TERMINATION

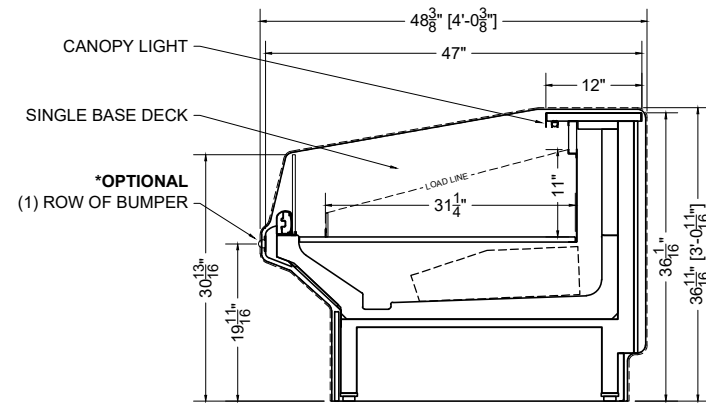
PACKOUT VOLUME: 12.28 CUBIC FT.
INTERNAL VOLUME: 23.64 CUBIC FT.

* OPTIONAL COMPONENT LOAD INCLUDED

CONFORMS TO UL STD 471.
CONFORMS TO NSF STD 7.
CERTIFIED TO CAN/CSA STD C22.2 NO. 120.



CANYON



SECTION VIEW

