

PLAN MECHANICAL VIEW

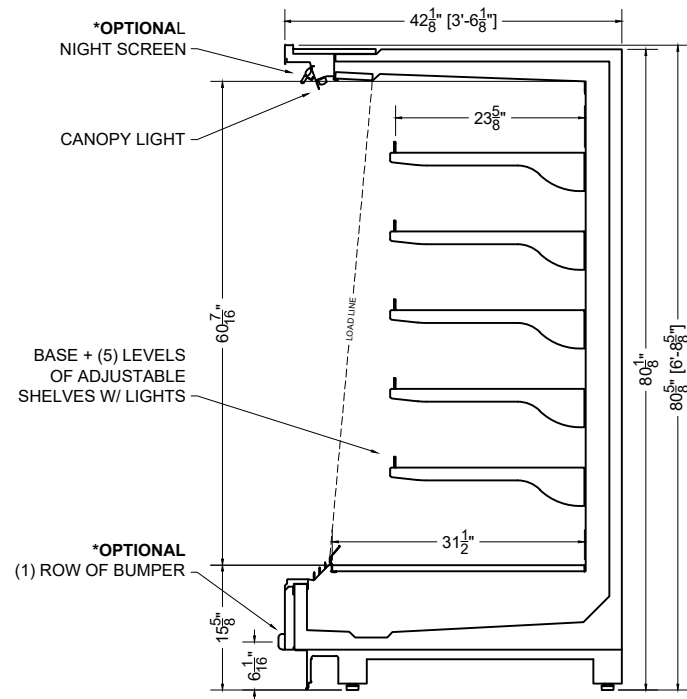
08.2-MDC-81ADM-R

SHEYENNE

QTY	DESCRIPTION	PART NUMBER	VOLTAGE	PHASE	AMPS	TOTAL AMPS
12	45" LED 4000K 24V	LG-FX-XXX-X	115V	1	0.50	6.00
4	EVAPORATOR FAN	AFXXX	115V	1	0.20	0.80

CIRCUIT#1 (LIGHTS) TOTAL AMPS: 6.00 VOLTAGE: 115/1/60 CONNECTION: HARDWIRED
 CIRCUIT#2 (FANS) TOTAL AMPS: 0.80 VOLTAGE: 115/1/60 CONNECTION: HARDWIRED
 MODEL: MDC-81ADM APPLICATION: DELI BTUH: 13520 EVAP TEMP: 14°F
 DEFROST: TIME-OFF, 4/45MIN, 50° TEMP TERMINATION

PACKOUT VOLUME: 100.02 CUBIC FT.
 INTERNAL VOLUME: 130.31 CUBIC FT.



SECTION VIEW

PROJ SPECIFICATION SHEET

DES 08.2-MDC-81ADM-R Refrigerated Multi-Deck

NAME AME DWG# 038150 REV #01- 03/01/24

CONFIDENTIAL DOCUMENT: THIS DRAWING IS CONFIDENTIAL AND THE PROPERTY OF SOUTHERN CASEARTS, INC AND IS NOT TO BE REPRODUCED OR EXCHANGED WITH ANY OTHER PERSON OR COMPANY WITHOUT THE EXPRESS WRITTEN CONSENT OF SOUTHERN CASEARTS, INC.

COPYRIGHT ©2024 SOUTHERN CASEARTS, INC. ALL RIGHTS RESERVED

1/2" = 1'

DRAWING DETAILS SUBJECT TO CHANGE DURING THE ENGINEERING PROCESS



SOUTHERN CaseArts