

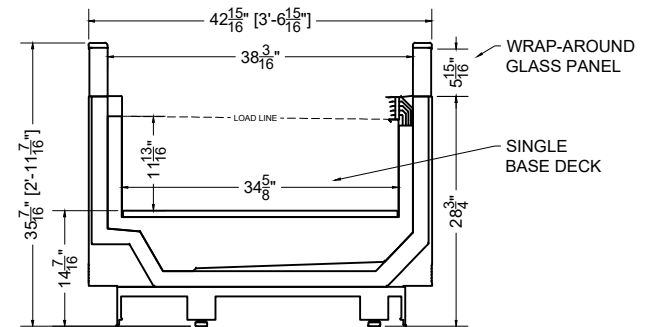
08.2-SAR-35TSDO-R

SIERRA

QTY	DESCRIPTION	PART NUMBER	VOLTAGE	PHASE	AMPS	TOTAL AMPS
2	EVAPORATOR FAN	AFXXX	208-230V	1	0.10	0.20
2	DRAIN HEATERS	---	208-230V	1	1	2.00
2	ANTI-COND. HEATERS (SIDE)	---	208-230V	1	0.20	0.40
2	ANTI-COND. HEATERS (FRONT & REAR)	---	208-230V	1	0.57	1.14
3	DEFROST HEATERS	---	208-230V	1	3.18	9.55

CIRCUIT#1 TOTAL AMPS: 13.29 VOLTAGE: 208-230/1/60 CONNECTION: HARDWIRED
 MODEL: SAR-35TSDO APPLICATION: FROZEN BTUH: 3839 EVAP TEMP: -31°F
 DEFROST: TIME-OFF, 4/45MIN, 50° TEMP TERMINATION
 * R290 (PROPANE) REFRIGERATION AVAILABLE

PACKOUT VOLUME: 24.35 CUBIC FT.
 INTERNAL VOLUME: 43.43 CUBIC FT.



SECTION VIEW

