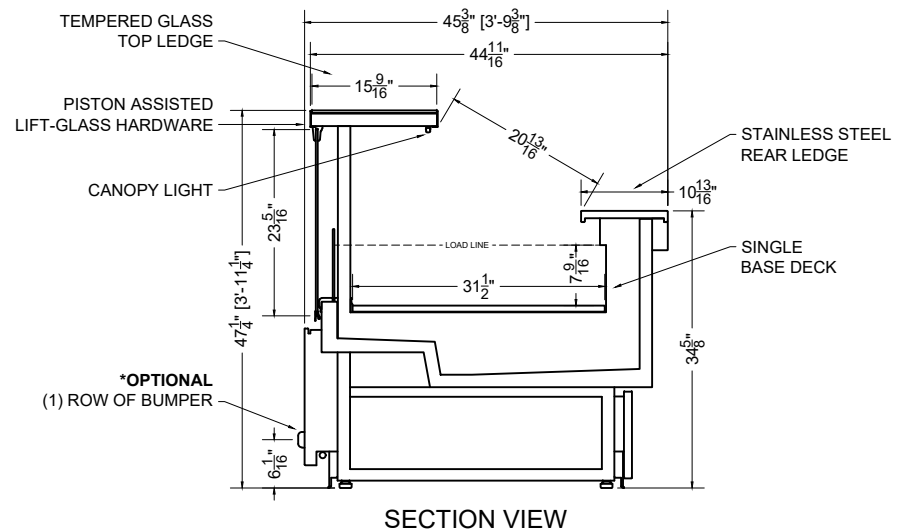


PLAN MECHANICAL VIEW



08.2-SCS-47ASBF-R

OZARK

QTY	DESCRIPTION	PART NUMBER	VOLTAGE	PHASE	AMPS	TOTAL AMPS
2	45" LED 2700K 24V	LG-FX-XXX-X	115V	1	0.50	1.00
2	EVAPORATOR FAN	AFXXX	115V	1	0.20	0.40
2	AIR SWEEP FAN	AFXXX	115V	1	0.08	0.16

CIRCUIT#1 (LIGHTS) TOTAL AMPS:1.00 VOLTAGE:115/1/60 CONNECTION:HARDWIRED
 CIRCUIT#2 (FANS) TOTAL AMPS:0.40 VOLTAGE:115/1/60 CONNECTION:HARDWIRED
 CIRCUIT#3 (ANTI-COND.) TOTAL AMPS:0.16 VOLTAGE:115/1/60 CONNECTION:HARDWIRED
 MODEL:SCS-47ASBF APPLICATION: FRESH MEAT BTUH:3839 EVAP TEMP: 14°F
 DEFROST: TIME-OFF, 4/45MIN, 50° TEMP TERMINATION

PACKOUT VOLUME: 13.59 CUBIC FT.
 INTERNAL VOLUME: 38.06 CUBIC FT.

PROJ SPECIFICATION SHEET

Des 08.2-SCS-47ASBF-R Service Over Counter

Name AME Dwg# 038274 Rev #01- 04/11/24

CONFIDENTIAL DOCUMENT: THIS DRAWING IS CONFIDENTIAL AND THE PROPERTY OF SOUTHERN CASEARTS, INC AND IS NOT TO BE REPRODUCED OR EXCHANGED WITH ANY OTHER PERSON OR COMPANY WITHOUT THE EXPRESS WRITTEN CONSENT OF SOUTHERN CASEARTS, INC.

COPYRIGHT ©2024 SOUTHERN CASEARTS, INC. ALL RIGHTS RESERVED

1/2" = 1'

DRAWING DETAILS SUBJECT TO CHANGE DURING THE ENGINEERING PROCESS



SOUTHERN CaseArts