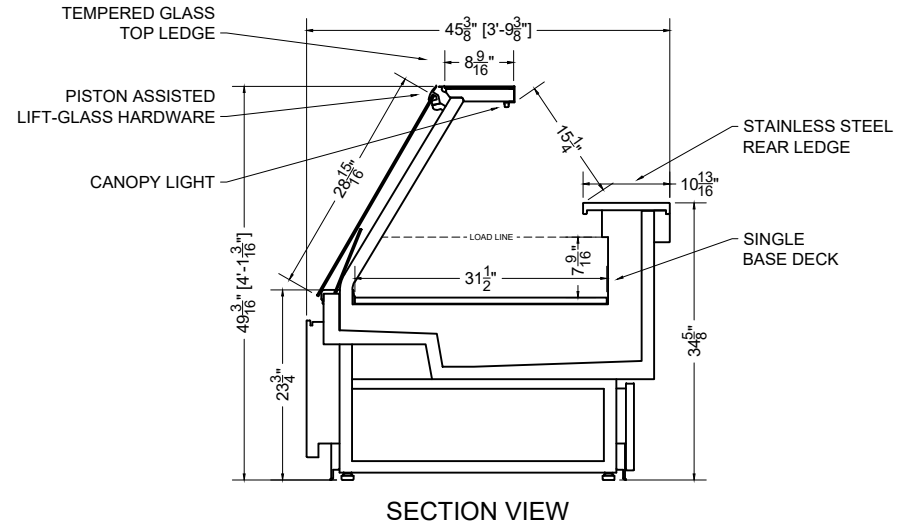


PLAN MECHANICAL VIEW



SECTION VIEW

08.2-SCS-49ASIF-R

OZARK

QTY	DESCRIPTION	PART NUMBER	VOLTAGE	PHASE	AMPS	TOTAL AMPS
2	45" LED 2700K 24V	LG-FX-XXX-X	115V	1	0.50	1.00
2	EVAPORATOR FAN	AFXXX	115V	1	0.20	0.40
2	AIR SWEEP FAN	AFXXX	115V	1	0.08	0.16

CIRCUIT#1 (LIGHTS)	TOTAL AMPS: 1.00	VOLTAGE: 115/1/60	CONNECTION: HARDWIRED
CIRCUIT#2 (FANS)	TOTAL AMPS: 0.40	VOLTAGE: 115/1/60	CONNECTION: HARDWIRED
CIRCUIT#3 (ANTI-COND.)	TOTAL AMPS: 0.16	VOLTAGE: 115/1/60	CONNECTION: HARDWIRED
MODEL: SCS-49ASIF	APPLICATION: FRESH MEAT	BTUH: 3839	EVAP TEMP: 14°F
DEFROST: TIME-OFF, 4/45MIN, 50° TEMP TERMINATION			

PACKOUT VOLUME: 12.95 CUBIC FT.
INTERNAL VOLUME: 34.86 CUBIC FT.

