

PLAN MECHANICAL VIEW

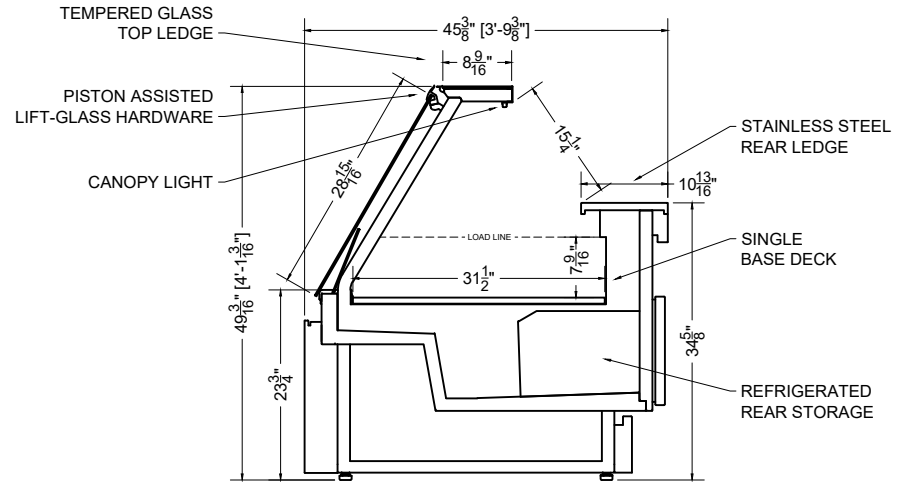
08.2-SCS-49ASIR-R

CORONADO

QTY	DESCRIPTION	PART NUMBER	VOLTAGE	PHASE	AMPS	TOTAL AMPS
2	45" LED 2700K 24V	LG-FX-XXX-X	115V	1	0.50	1.00
3	EVAPORATOR FAN	AFXXX	115V	1	0.08	0.24
2	AIR SWEEP FAN	AFXXX	115V	1	0.08	0.16

CIRCUIT#1 (LIGHTS) TOTAL AMPS: 1.00 VOLTAGE: 115/1/60 CONNECTION: HARDWIRED  
 CIRCUIT#2 (FANS) TOTAL AMPS: 0.24 VOLTAGE: 115/1/60 CONNECTION: HARDWIRED  
 CIRCUIT#3 (ANTI-COND.) TOTAL AMPS: 0.16 VOLTAGE: 115/1/60 CONNECTION: HARDWIRED  
 MODEL: SCS-49ASIR APPLICATION: FRESH MEAT BTUH: 4692 EVAP TEMP: 14°F  
 DEFROST: TIME-OFF, 4/45MIN, 50° TEMP TERMINATION

PACKOUT VOLUME: 12.95 CUBIC FT.  
 INTERNAL VOLUME: 34.86 CUBIC FT.  
 REAR STORAGE: 8.67 CUBIC FT.



SECTION VIEW

