

PLAN MECHANICAL VIEW

08.3-SAR-41TSDS-S (SELF-CONTAINED, WITH DOORS)

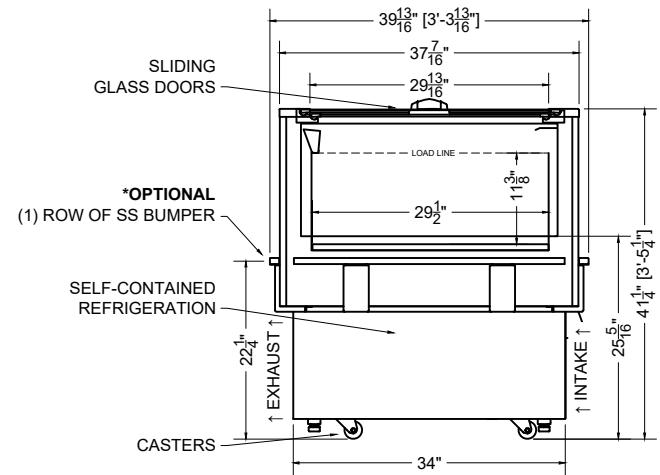
CIBOLA

QTY	DESCRIPTION	PART NUMBER	VOLTAGE	PHASE	AMPS	TOTAL AMPS
3	EVAPORATOR FAN	AFXXX	208-230V	1	0.08	0.24
2	COMPRESSOR	--	208-230V	1	3.90	7.79
2	CONDENSER COIL FAN MOTOR	--	208-230V	1	0.10	0.20
1	EVAP PAN	--	208-230V	1	1.82	1.82
1	DRAIN HEATERS	--	208-230V	1	1.82	1.82
1	ANTI-COND. HEATERS	--	208-230V	1	1.14	1.14
2	DEFROST HEATERS	--	208-230V	1	9.09	18.18

*NOT INCLUDED IN TOTAL

CIRCUIT#1 TOTAL AMPS: 23.40 VOLTAGE: 208-230/1/60 CONNECTION: 6-30P
 * NOT ALL ELECTRICAL COMPONENTS RUN CONCURRENTLY (COMPRESSOR WILL NOT RUN DURING DEFROST)
 MODEL: SAR-41TSDS APPLICATION: DUAL BTUH: 3146/4408 EVAP TEMP: -31/14°F
 DEFROST: TIME-OFF, 4/45MIN, 50° TEMP TERMINATION
 * R290 (PROPANE) REFRIGERATION AVAILABLE

PACKOUT VOLUME: 19.36 CUBIC FT.
 INTERNAL VOLUME: 26.91 CUBIC FT.



SECTION VIEW

