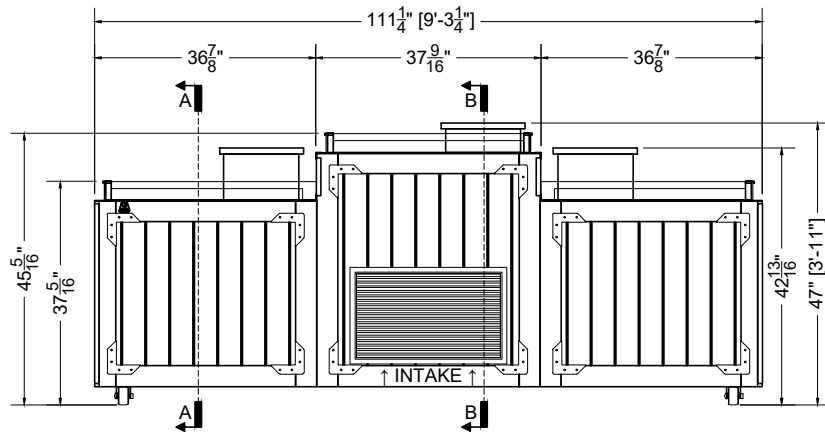
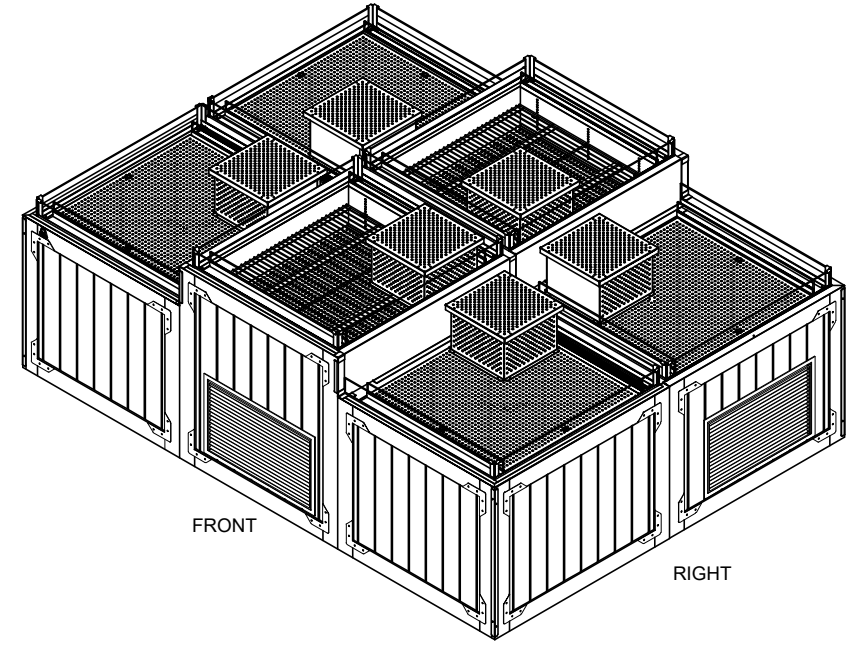
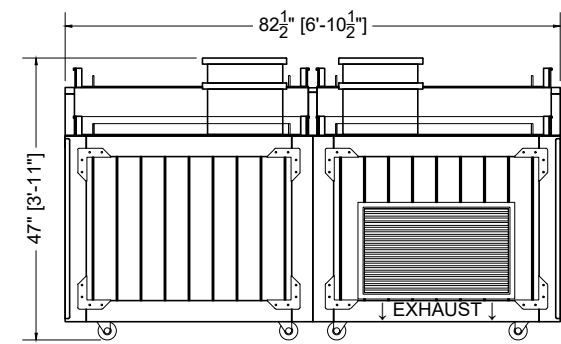


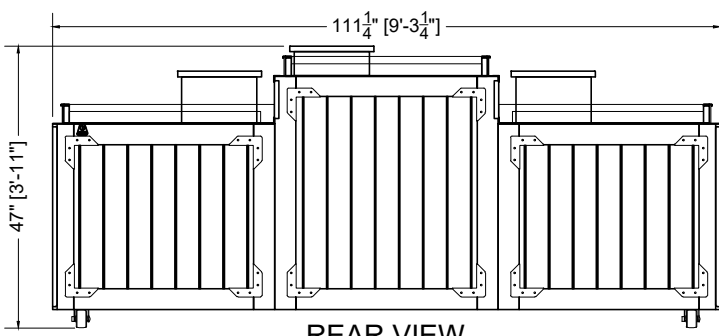
↑ INTAKE ↑  
PLAN VIEW



FRONT VIEW



RIGHT SIDE VIEW



REAR VIEW

PROJ SPECIFICATION SHEET

09.3-SAR-BIN6-S Bin Produce Display (W/ CASTERS, S/C)

Name AME Dwg# 037946 Rev #01- 12/20/23

CONFIDENTIAL DOCUMENT: THIS DRAWING IS CONFIDENTIAL AND THE PROPERTY OF SOUTHERN CASEARTS, INC AND IS NOT TO BE REPRODUCED OR EXCHANGED WITH ANY OTHER PERSON OR COMPANY WITHOUT THE EXPRESS WRITTEN CONSENT OF SOUTHERN CASEARTS, INC.

COPYRIGHT ©2023 SOUTHERN CASEARTS, INC. ALL RIGHTS RESERVED

3/8" = 1"

DRAWING DETAILS SUBJECT TO CHANGE DURING THE ENGINEERING PROCESS



SOUTHERN CaseArts

09.3-SAR-BIN6-S (WITH CASTERS, SELF-CONTAINED)

SYCAMORE

QTY	DESCRIPTION	PART NUMBER	VOLTAGE	PHASE	AMPS	TOTAL AMPS
6	EVAPORATOR FAN	RF-FA-XXXX	115V	1	0.17	1.02
1	CONDENSING UNIT	RF-CU-0388-A	208/230V	1	9.80	9.80
1	CONDENSATE EVAP PAN / 1500W / FULL	EL-EV-XXXX	208V	1	7.21	7.21

CIRCUIT#1

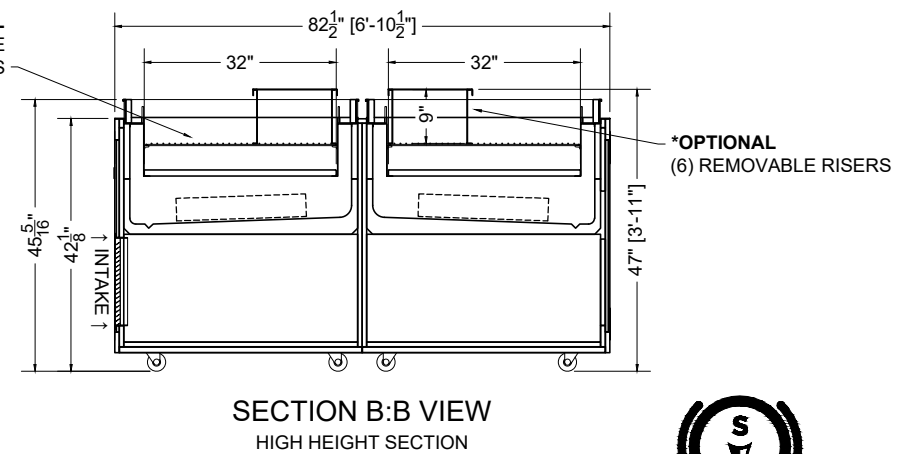
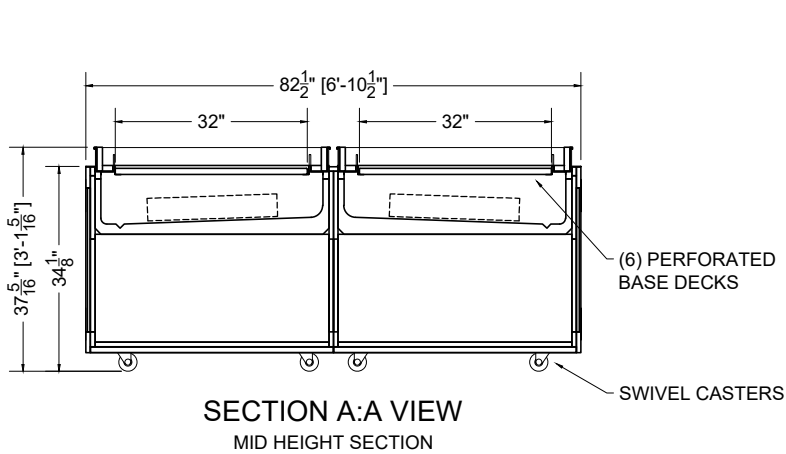
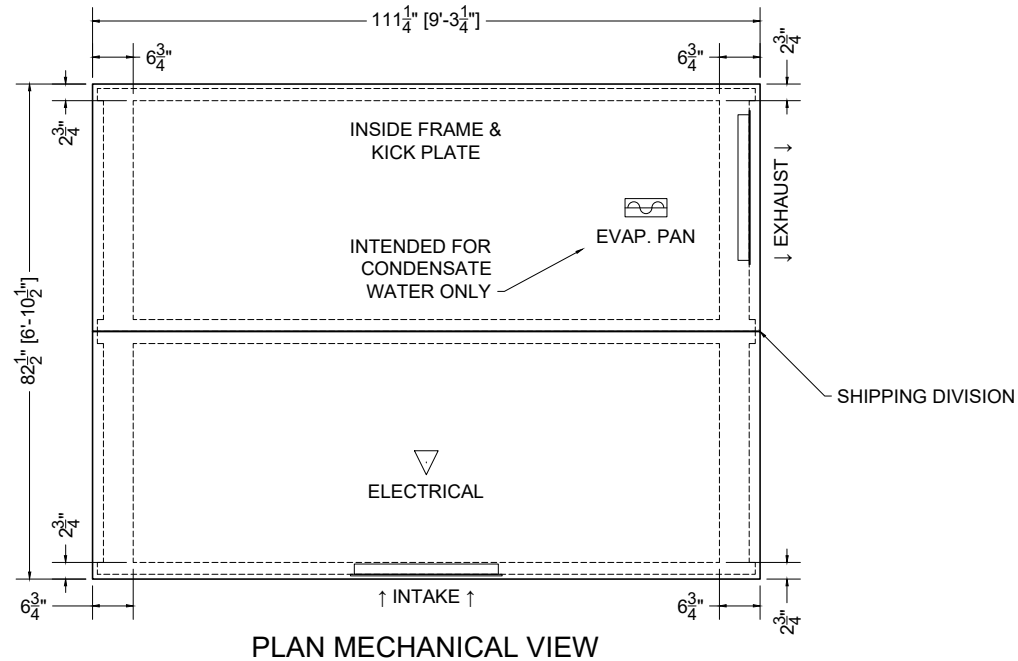
TOTAL AMPS:18.03

VOLTAGE:208-230/1/60, 3-WIRE CONNECTION:L14-30P

PACKOUT VOLUME: 11.13 CUBIC FT.

INTERNAL VOLUME: 40.85 CUBIC FT.

**NOTICE:**  
THIS MERCHANDISER IS NOT INTENDED FOR THE DISPLAY OF POTENTIALLY HAZARDOUS FOODS.



PROJ SPECIFICATION SHEET

Des 09.3-SAR-BIN6-S Bin Produce Display (W/ CASTERS, S/C)

Name AME Dwg# 037945 Rev #01- 12/20/23

CONFIDENTIAL DOCUMENT: THIS DRAWING IS CONFIDENTIAL AND THE PROPERTY OF SOUTHERN CASEARTS, INC AND IS NOT TO BE REPRODUCED OR EXCHANGED WITH ANY OTHER PERSON OR COMPANY WITHOUT THE EXPRESS WRITTEN CONSENT OF SOUTHERN CASEARTS, INC.

COPYRIGHT ©2023 SOUTHERN CASEARTS, INC. ALL RIGHTS RESERVED

3/8" = 1"

DRAWING DETAILS SUBJECT TO CHANGE DURING THE ENGINEERING PROCESS



SOUTHERN CaseArts