

PLAN MECHANICAL VIEW

10.0-ODC-03S-R

ALLEGHENY

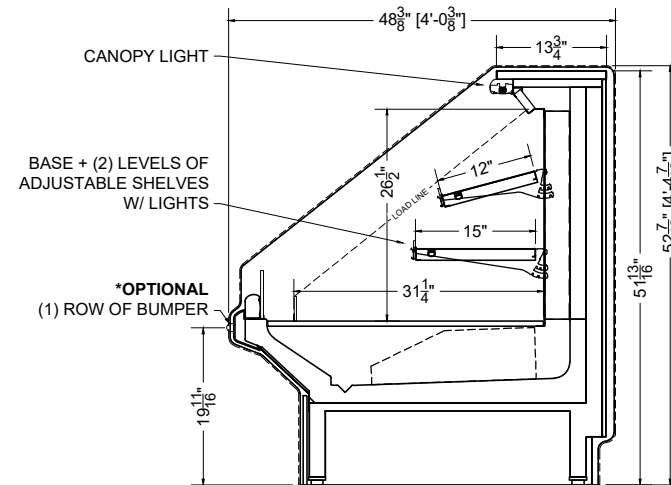
QTY	DESCRIPTION	PART NUMBER	VOLTAGE	PHASE	AMPS	TOTAL AMPS
8	34" LED 3500K, FROSTED, 24V	LG-FX-XXX-X	115V	1	0.07	0.56
4	45" LED 3500K, FROSTED, 24V	LG-FX-XXX-X	115V	1	0.09	0.36
5	EVAPORATOR FAN	RF-FA-XXXX	115V	1	0.17	0.85

CIRCUIT#1 (LIGHTS) TOTAL AMPS:0.92 VOLTAGE:115/1/60 CONNECTION:HARDWIRED  
 CIRCUIT#2 (FANS) TOTAL AMPS:0.85 VOLTAGE:115/1/60 CONNECTION:HARDWIRED  
 MODEL:ODC-03S APPLICATION:DELI BTUH:8920 EVAP TEMP: 22°F  
 DEFROST:TIME-OFF, 4/40MIN, 47° TEMP TERMINATION

PACKOUT VOLUME: 33.73 CUBIC FT.  
 INTERNAL VOLUME: 47.11 CUBIC FT.

\* OPTIONAL COMPONENT LOAD INCLUDED

CONFORMS TO UL STD 471.  
 CONFORMS TO NSF STD 7.  
 CERTIFIED TO CAN/CSA STD  
 C22.2 NO. 120.



SECTION VIEW

PROJ SPECIFICATION SHEET

Des 10.0-ODC-03S-R Open Display Case

Name AME Dwg# 037747 Rev #03 - 10/04/23

CONFIDENTIAL DOCUMENT: THIS DRAWING IS CONFIDENTIAL AND THE PROPERTY OF SOUTHERN CASEARTS, INC AND IS NOT TO BE REPRODUCED OR EXCHANGED WITH ANY OTHER PERSON OR COMPANY WITHOUT THE EXPRESS WRITTEN CONSENT OF SOUTHERN CASEARTS, INC.

COPYRIGHT ©2023 SOUTHERN CASEARTS, INC. ALL RIGHTS RESERVED

1/2" = 1'

DRAWING DETAILS SUBJECT TO CHANGE DURING THE ENGINEERING PROCESS



SOUTHERN CaseArts