

PLAN MECHANICAL VIEW

10.0-ODC-TS-R

CANYON

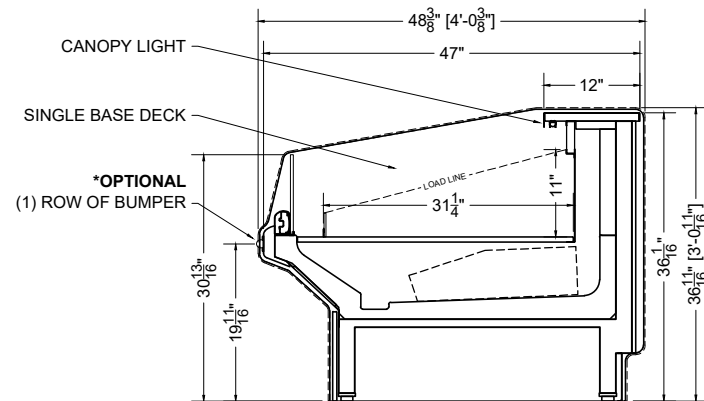
| QTY | DESCRIPTION | PART NUMBER | VOLTAGE | PHASE | AMPS | TOTAL AMPS |
|-----|-----------------------------|-------------|---------|-------|------|------------|
| 4 | 56" LED 3500K, FROSTED, 24V | LG-FX-XXX-X | 115V | 1 | 0.11 | 0.44 |
| 5 | EVAPORATOR FAN | RF-FA-XXXX | 115V | 1 | 0.17 | 0.85 |

| | | | |
|--|-------------------|-------------------|-----------------------|
| CIRCUIT#1 (LIGHTS) | TOTAL AMPS: 0.44 | VOLTAGE: 115/1/60 | CONNECTION: HARDWIRED |
| CIRCUIT#2 (FANS) | TOTAL AMPS: 0.85 | VOLTAGE: 115/1/60 | CONNECTION: HARDWIRED |
| MODEL: ODC-TS | APPLICATION: DELI | BTUH: 8520 | EVAP TEMP: 24°F |
| DEFROST: TIME-OFF, 4/40MIN, 47" TEMP TERMINATION | | | |

PACKOUT VOLUME: 15.34 CUBIC FT.
INTERNAL VOLUME: 29.56 CUBIC FT.

* OPTIONAL COMPONENT LOAD INCLUDED

CONFORMS TO UL STD 471.
CONFORMS TO NSF STD 7.
CERTIFIED TO CAN/CSA STD C22.2 NO. 120.



SECTION VIEW

PROJ SPECIFICATION SHEET

Desg 10.0-ODC-TS-R Tall Open Display Case

Name AME Dwg# 037902 Rev #02- 12/05/23

CONFIDENTIAL DOCUMENT: THIS DRAWING IS CONFIDENTIAL AND THE PROPERTY OF SOUTHERN CASEARTS, INC AND IS NOT TO BE REPRODUCED OR EXCHANGED WITH ANY OTHER PERSON OR COMPANY WITHOUT THE EXPRESS WRITTEN CONSENT OF SOUTHERN CASEARTS, INC.

COPYRIGHT ©2023 SOUTHERN CASEARTS, INC. ALL RIGHTS RESERVED

1/2" = 1"

DRAWING DETAILS SUBJECT TO CHANGE DURING THE ENGINEERING PROCESS



SOUTHERN CaseArts