

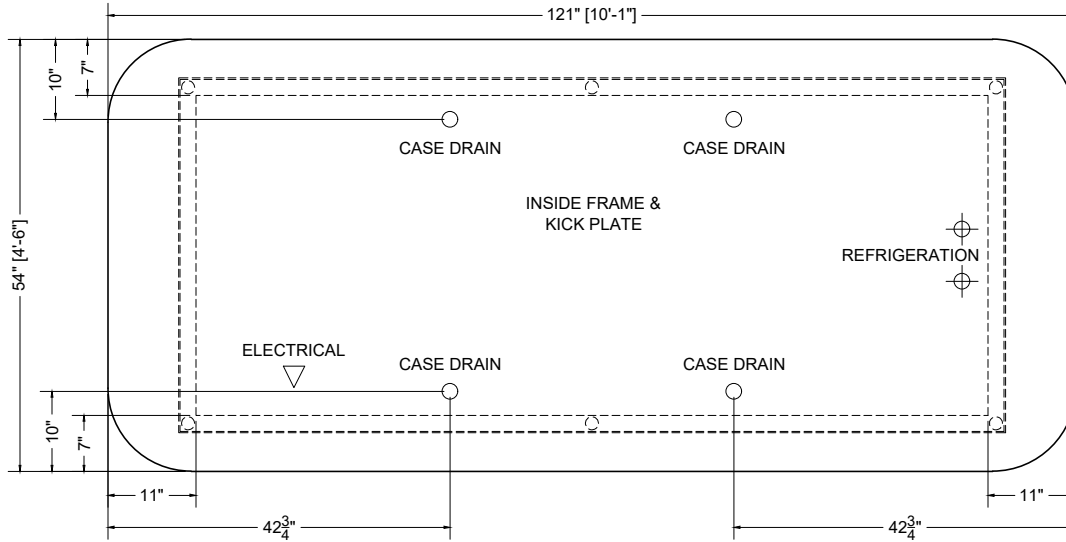
10.0-RIM-3N2-R = 6' CENTER + (2) SQUARED ENDS

SUPERIOR

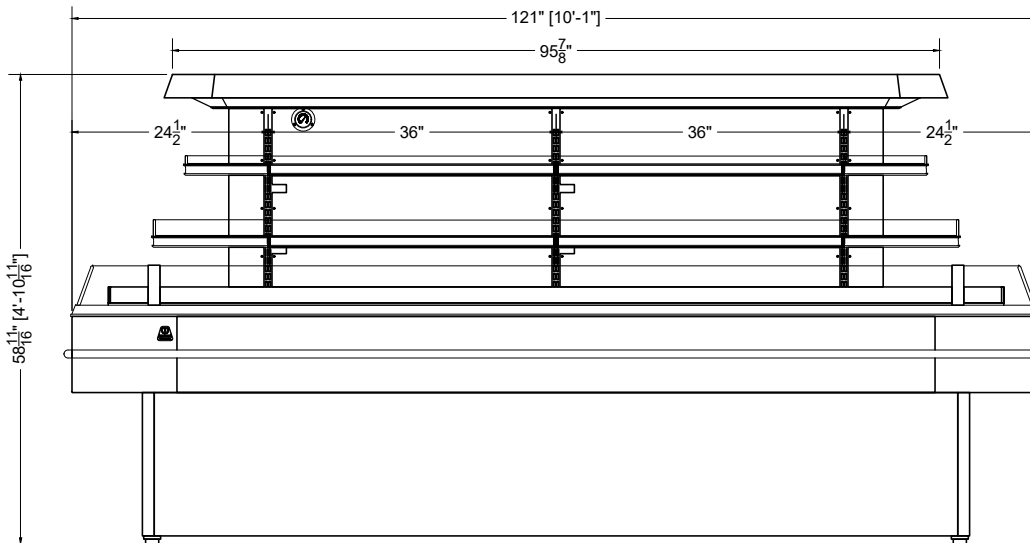
QTY	DESCRIPTION	PART NUMBER	VOLTAGE	PHASE	AMPS	TOTAL AMPS
2	18" LED 3500K, FROSTED, 24V	LG-FX-XXX-X	115V	1	0.03	0.06
4	23" LED 3500K, FROSTED, 24V	LG-FX-XXX-X	115V	1	0.04	0.16
8	34" LED 3500K, FROSTED, 24V	LG-FX-XXX-X	115V	1	0.07	0.56
4	40" LED 3500K, FROSTED, 24V	LG-FX-XXX-X	115V	1	0.08	0.32
8	EVAPORATOR FAN	RF-FA-XXXX	115V	1	0.17	1.36

CIRCUIT#1 (LIGHTS) TOTAL AMPS: 1.10 VOLTAGE: 115/160 CONNECTION: HARDWIRED
 CIRCUIT#2 (FANS) TOTAL AMPS: 1.36 VOLTAGE: 115/160 CONNECTION: HARDWIRED
 SHIPPING DIMENSIONS: 132" X 66" X 69" PACKOUT VOLUME: 40.43 CUBIC FT.
 WEIGHT: 1479 LBS INTERNAL VOLUME: 58.07 CUBIC FT.

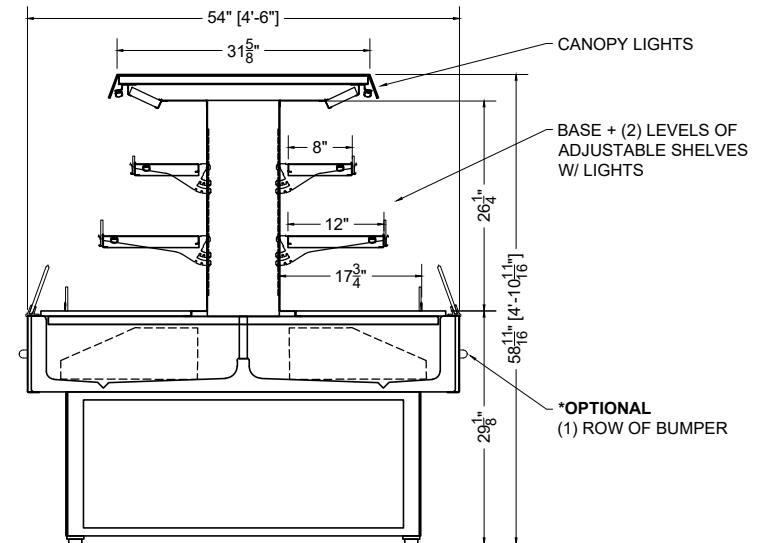
CONFORMS TO UL STD 471
 CONFORMS TO NSF STD 7
 CERTIFIED TO CAN/CSA STD C22.2 NO. 120.



PLAN MECHANICAL VIEW



FRONT VIEW



SECTION VIEW

PROJ SPECIFICATION SHEET

DESC 10.0-RIM-3N2-R - (2) Squared Ends

NAME AME Dwg# 037920 Rev #05- 12/11/23

CONFIDENTIAL DOCUMENT: THIS DRAWING IS CONFIDENTIAL AND THE PROPERTY OF SOUTHERN CASEARTS, INC AND IS NOT TO BE REPRODUCED OR EXCHANGED WITH ANY OTHER PERSON OR COMPANY WITHOUT THE EXPRESS WRITTEN CONSENT OF SOUTHERN CASEARTS, INC.

COPYRIGHT ©2023 SOUTHERN CASEARTS, INC. ALL RIGHTS RESERVED

1/2" = 1'

DRAWING DETAILS SUBJECT TO CHANGE DURING THE ENGINEERING PROCESS



SOUTHERN CaseArts