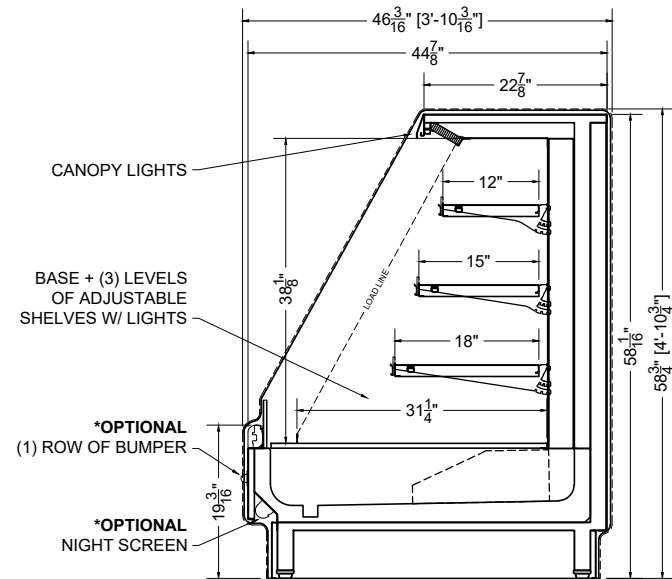


PLAN MECHANICAL VIEW

12.0-MDC-56LD-R		MCKENZIE				
QTY	DESCRIPTION	PART NUMBER	VOLTAGE	PHASE	AMPS	TOTAL AMPS
15	45° LED 3500K, FROSTED, 24V	LG-FX-XXX-X	115V	1	0.09	1.35
6	EVAPORATOR FAN	RF-FA-XXXX	115V	1	0.17	1.02
CIRCUIT#1 (LIGHTS)		TOTAL AMPS: 1.35		VOLTAGE: 115/1/60		
CIRCUIT#2 (FANS)		TOTAL AMPS: 1.02		VOLTAGE: 115/1/60		
MODEL: MDC-56LD		APPLICATION: DELI		BTUH: 11460		
DEFROST: TIME-OFF, 4/40MIN, 47° TEMP TERMINATION		CONNECTION: HARDWIRED				
SHIPPING DIMENSIONS: 160" X 60" X 70"		CONNECTION: HARDWIRED				
WEIGHT: 1935 LBS		EVAP TEMP: 24°F				
		PACKOUT VOLUME: 68.60 CUBIC FT.				
		INTERNAL VOLUME: 86.98 CUBIC FT.				

* OPTIONAL COMPONENT LOAD INCLUDED

CONFORMS TO UL STD 471.
 CONFORMS TO NSF STD 7.
 CERTIFIED TO CAN/CSA STD
 C22.2 NO. 120.



SECTION VIEW

PROJ SPECIFICATION SHEET

DESIGN 12.0-MDC-56LD-R Low Nose Deep Multi-Deck

NAME AME DWG# 037726 REV #02 - 09/25/23

CONFIDENTIAL DOCUMENT: THIS DRAWING IS CONFIDENTIAL AND THE PROPERTY OF SOUTHERN CASEARTS, INC AND IS NOT TO BE REPRODUCED OR EXCHANGED WITH ANY OTHER PERSON OR COMPANY WITHOUT THE EXPRESS WRITTEN CONSENT OF SOUTHERN CASEARTS, INC.

COPYRIGHT ©2023 SOUTHERN CASEARTS, INC. ALL RIGHTS RESERVED

1/2" = 1'

DRAWING DETAILS SUBJECT TO CHANGE DURING THE ENGINEERING PROCESS



SOUTHERN CaseArts