

12.0-MDC-64LS-R

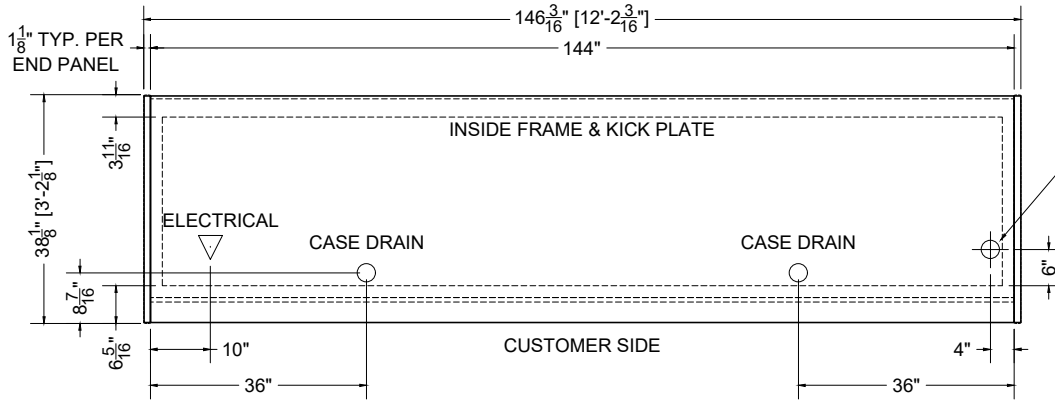
COLUMBIA

QTY	DESCRIPTION	PART NUMBER	VOLTAGE	PHASE	AMPS	TOTAL AMPS
12	45° LED 3500K, FROSTED, 24V	LG-FX-XXX-X	115V	1	0.09	1.08
6	EVAPORATOR FAN	RF-FA-XXXX	115V	1	0.17	1.02

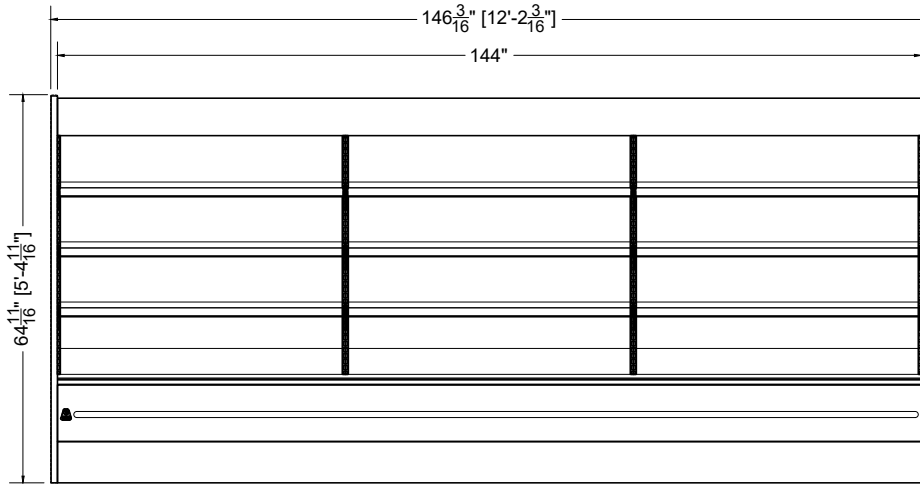
CIRCUIT#1 (LIGHTS) TOTAL AMPS: 1.08 VOLTAGE: 115/1/60 CONNECTION: HARDWIRED  
 CIRCUIT#2 (FANS) TOTAL AMPS: 1.02 VOLTAGE: 115/1/60 CONNECTION: HARDWIRED  
 MODEL: MDC-64LS APPLICATION: DELI BTUH: 14580 EVAP TEMP: 24°F  
 DEFROST: TIME-OFF, 4/40MIN, 47° TEMP TERMINATION

PACKOUT VOLUME: 87.54 CUBIC FT.  
 INTERNAL VOLUME: 107.08 CUBIC FT.

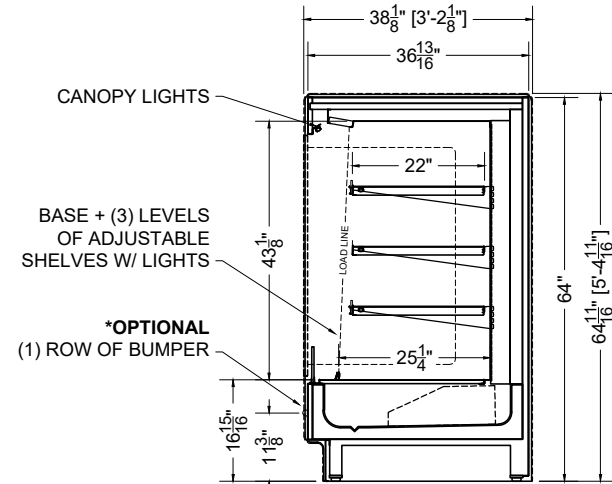
CONFORMS TO UL STD 471.  
 CONFORMS TO NSF STD 7.  
 CERTIFIED TO CAN/CSA STD C22.2 NO. 120.



PLAN MECHANICAL VIEW



FRONT VIEW



SECTION VIEW

PROJ SPECIFICATION SHEET

Des 12.0-MDC-64LS-R Low Nose Multi-Deck

Name AME Dwg# 037855 Rev #02- 11/15/23

CONFIDENTIAL DOCUMENT: THIS DRAWING IS CONFIDENTIAL AND THE PROPERTY OF SOUTHERN CASEARTS, INC AND IS NOT TO BE REPRODUCED OR EXCHANGED WITH ANY OTHER PERSON OR COMPANY WITHOUT THE EXPRESS WRITTEN CONSENT OF SOUTHERN CASEARTS, INC.

COPYRIGHT ©2022 SOUTHERN CASEARTS, INC. ALL RIGHTS RESERVED

3/8" = 1"

DRAWING DETAILS SUBJECT TO CHANGE DURING THE ENGINEERING PROCESS



SOUTHERN CaseArts