

PLAN MECHANICAL VIEW

12.0-MDC-72LD-R

QTY	DESCRIPTION	PART NUMBER	VOLTAGE	PHASE	AMPS	TOTAL AMPS
18	45° LED 3500K, FROSTED, 24V	LG-FX-XXX-X	115V	1	0.09	1.62
6	EVAPORATOR FAN	RF-FA-XXXX	115V	1	0.17	1.02

CIRCUIT#1 (LIGHTS) TOTAL AMPS: 1.62 VOLTAGE: 115/1/60 CONNECTION: HARDWIRED
 CIRCUIT#2 (FANS) TOTAL AMPS: 1.02 VOLTAGE: 115/1/60 CONNECTION: HARDWIRED
 MODEL: MDC-72LD APPLICATION: DELI BTUH: 17400 EVAP TEMP: 24°F
 DEFROST: TIME-OFF, 4/40MIN, 47° TEMP TERMINATION

* OPTIONAL COMPONENT LOAD INCLUDED

PACKOUT VOLUME: 99.24 CUBIC FT.
 INTERNAL VOLUME: 134.61 CUBIC FT.

CONFORMS TO UL STD 471.
 CONFORMS TO NSF STD 7.
 CERTIFIED TO CAN/CSA STD C22.2 NO. 120.



PROJ SPECIFICATION SHEET

Desig 12.0-MDC-72LD-R Low Nose Deep Multi-Deck

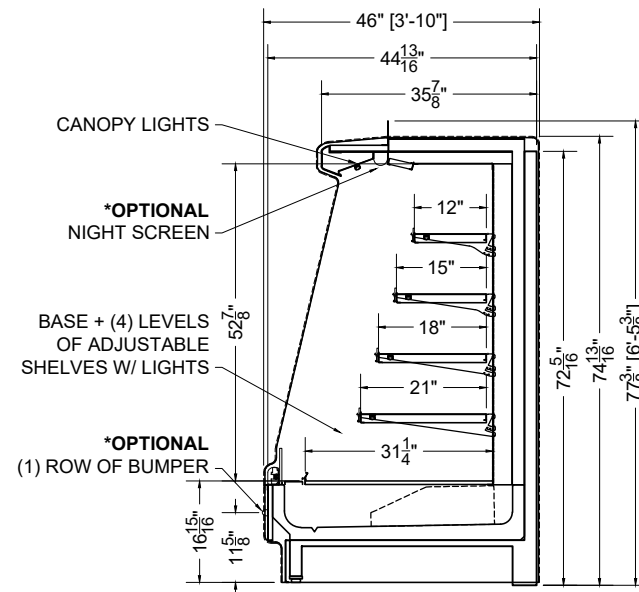
Name AME Dwg# 037861 Rev #01- 11/15/23

CONFIDENTIAL DOCUMENT: THIS DRAWING IS CONFIDENTIAL AND THE PROPERTY OF SOUTHERN CASEARTS, INC AND IS NOT TO BE REPRODUCED OR EXCHANGED WITH ANY OTHER PERSON OR COMPANY WITHOUT THE EXPRESS WRITTEN CONSENT OF SOUTHERN CASEARTS, INC.

COPYRIGHT ©2023 SOUTHERN CASEARTS, INC. ALL RIGHTS RESERVED

3/8" = 1"

DRAWING DETAILS SUBJECT TO CHANGE DURING THE ENGINEERING PROCESS



SECTION VIEW



SOUTHERN CaseArts