

PLAN MECHANICAL VIEW

12.0-ODC-03S-R

ALLEGHENY

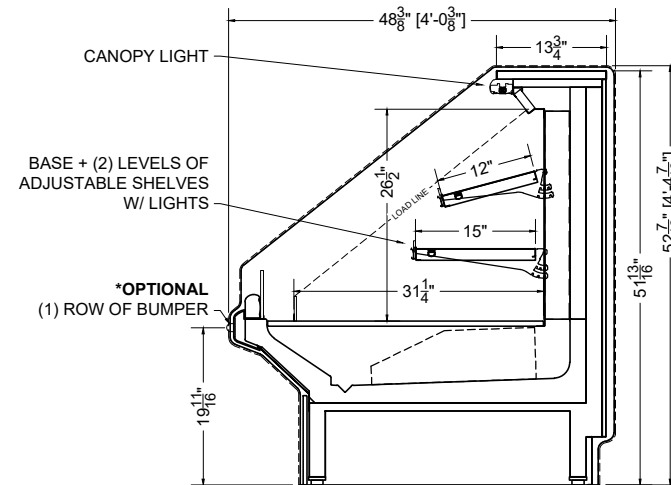
QTY	DESCRIPTION	PART NUMBER	VOLTAGE	PHASE	AMPS	TOTAL AMPS
12	45° LED 3500K, FROSTED, 24V	LG-FX-XXX-X	115V	1	0.09	1.08
6	EVAPORATOR FAN	RF-FA-XXXX	115V	1	0.17	1.02

CIRCUIT#1 (LIGHTS) TOTAL AMPS: 1.08 VOLTAGE: 115/1/60 CONNECTION: HARDWIRED  
 CIRCUIT#2 (FANS) TOTAL AMPS: 1.02 VOLTAGE: 115/1/60 CONNECTION: HARDWIRED  
 MODEL: ODC-03S APPLICATION: DELI BTUH: 10704 CONNECTION: HARDWIRED  
 DEFROST: TIME-OFF, 4/40MIN, 47° TEMP TERMINATION EVAP TEMP: 22°F

PACKOUT VOLUME: 40.48 CUBIC FT.  
 INTERNAL VOLUME: 56.53 CUBIC FT.

\* OPTIONAL COMPONENT LOAD INCLUDED

CONFORMS TO UL STD 471.  
 CONFORMS TO NSF STD 7.  
 CERTIFIED TO CAN/CSA STD  
 C22.2 NO. 120.



SECTION VIEW

