

PLAN MECHANICAL VIEW

12.0-ODC-TS-R

CANYON

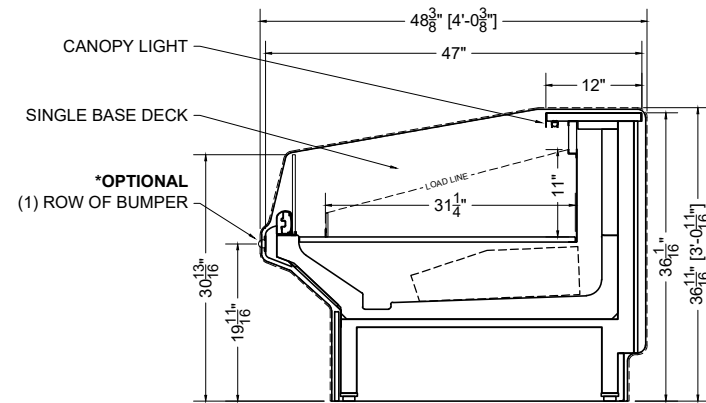
QTY	DESCRIPTION	PART NUMBER	VOLTAGE	PHASE	AMPS	TOTAL AMPS
6	45° LED 3500K, FROSTED, 24V	LG-FX-XXX-X	115V	1	0.09	0.54
6	EVAPORATOR FAN	RF-FA-XXXX	115V	1	0.17	1.02

CIRCUIT#1 (LIGHTS) TOTAL AMPS: 0.54 VOLTAGE: 115/1/60 CONNECTION: HARDWIRED
 CIRCUIT#2 (FANS) TOTAL AMPS: 1.02 VOLTAGE: 115/1/60 CONNECTION: HARDWIRED
 MODEL: ODC-TS APPLICATION: DELI BTUH: 9901 EVAP TEMP: 24°F
 DEFROST: TIME-OFF, 4/40MIN, 47° TEMP TERMINATION

PACKOUT VOLUME: 18.41 CUBIC FT.
 INTERNAL VOLUME: 35.47 CUBIC FT.

* OPTIONAL COMPONENT LOAD INCLUDED

CONFORMS TO UL STD 471.
 CONFORMS TO NSF STD 7.
 CERTIFIED TO CAN/CSA STD C22.2 NO. 120.



SECTION VIEW

