

REFRIGERATED WELL CAPACITY:
(7) FULL-SIZE STANDARD PANS 4" DEPTH

*FOOD PAN INCLUSION **OPTIONAL**

12.0-SSB-N-S (SELF-CONTAINED)

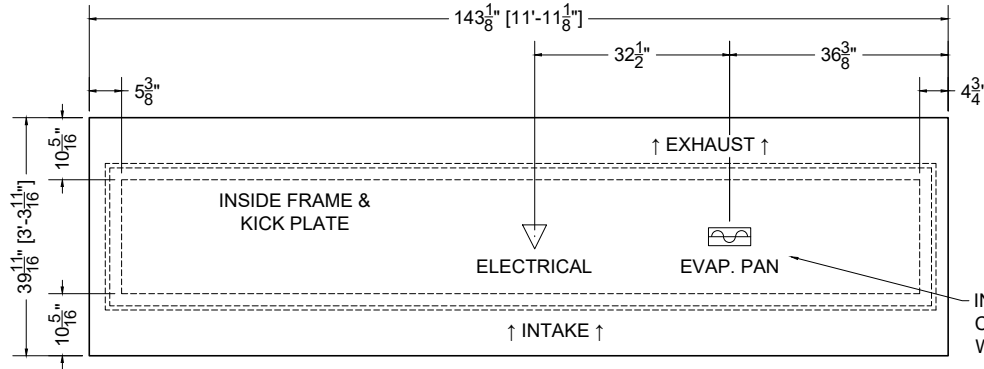
ZION

QTY	DESCRIPTION	PART NUMBER	VOLTAGE	PHASE	AMPS	TOTAL AMPS
4	45" LED 3500K, FROSTED, 24V	LG-FX-XXX-X	115V	1	0.09	0.36
3	EVAPORATOR FAN	RF-FA-XXXX	115V	1	0.17	0.51
1	CONDENSING UNIT	RF-CU-0378-A	208/230V	1	5.75	5.75
1	CONDENSATE EVAP PAN / 1000W / FULL	EL-EV-XXXX	208V	1	4.81	4.81

CIRCUIT#1 TOTAL AMPS:11.43 VOLTAGE:208-230/1/60, 3-WIRE CONNECTION:L14-20P
 CIRCUIT#2 (ISO. OUTLET) TOTAL AMPS:20.00 VOLTAGE:115/1/60 CONNECTION:HARDWIRED

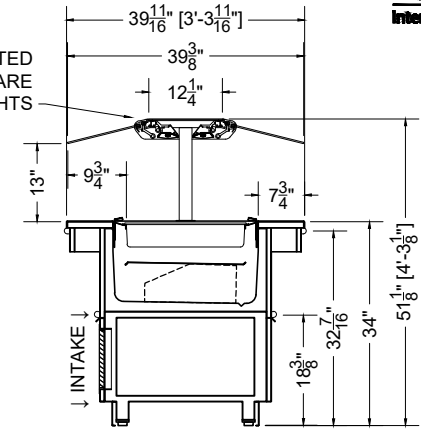
PACKOUT VOLUME: 6.87 CUBIC FT.
INTERNAL VOLUME: 8.93 CUBIC FT.

CONFORMS TO UL STD 471.
CONFORMS TO NSF STD 7.
CERTIFIED TO CAN/CSA STD C22.2 NO. 120.



INTENDED FOR
CONDENSATE
WATER ONLY

PISTON ASSISTED
LIFT-GLASS HARDWARE
W/ LIGHTS



SECTION VIEW

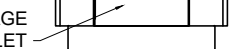
TEMPERED GLASS
FOOD SHIELD W/
TOP LEDGE



*OPTIONAL
(3) ROWS OF
BUMPER

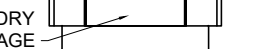


DRY STORAGE
W/ ISO. OUTLET

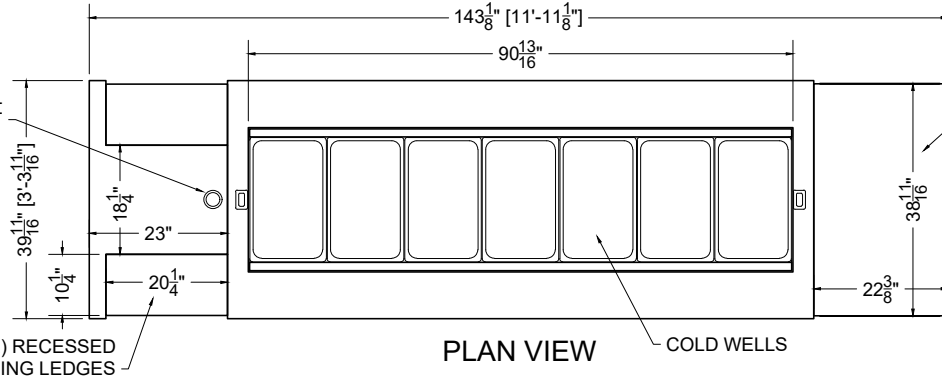


SIDE VIEW
LEFT

DRY STORAGE



SIDE VIEW
RIGHT



PLAN VIEW

(1) PACKAGING
LEDGE

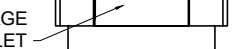
TEMPERED GLASS
FOOD SHIELD W/
TOP LEDGE



*OPTIONAL
(3) ROWS OF
BUMPER

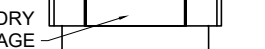


DRY STORAGE
W/ ISO. OUTLET

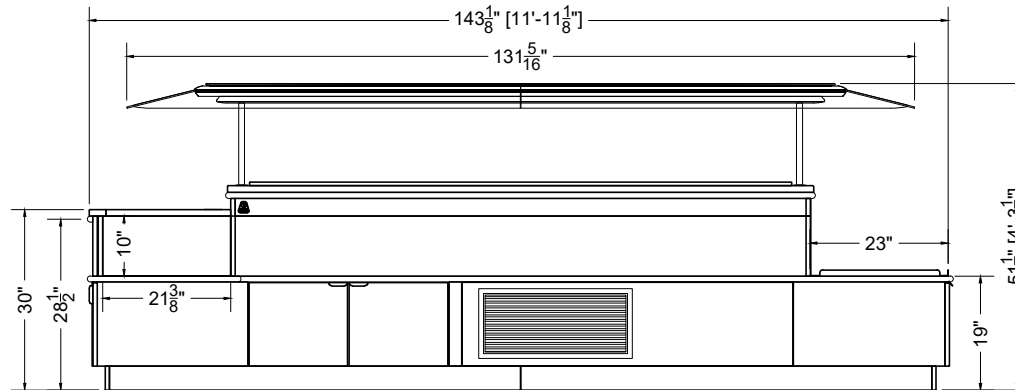


SIDE VIEW
LEFT

DRY STORAGE



SIDE VIEW
RIGHT



FRONT VIEW

PROJ SPECIFICATION SHEET

DESIGN 12.0-SSB-N-S Narrow Food Bar (S/C)

NAME AME Dwg# 037940 Rev #IR - 12/15/23

CONFIDENTIAL DOCUMENT: THIS DRAWING IS CONFIDENTIAL AND THE PROPERTY OF SOUTHERN CASEARTS, INC AND IS NOT TO BE REPRODUCED OR EXCHANGED WITH ANY OTHER PERSON OR COMPANY WITHOUT THE EXPRESS WRITTEN CONSENT OF SOUTHERN CASEARTS, INC.

COPYRIGHT ©2023 SOUTHERN CASEARTS, INC. ALL RIGHTS RESERVED

38" = 1"

DRAWING DETAILS SUBJECT TO CHANGE DURING THE ENGINEERING PROCESS



SOUTHERN
CaseArts