

PLAN MECHANICAL VIEW

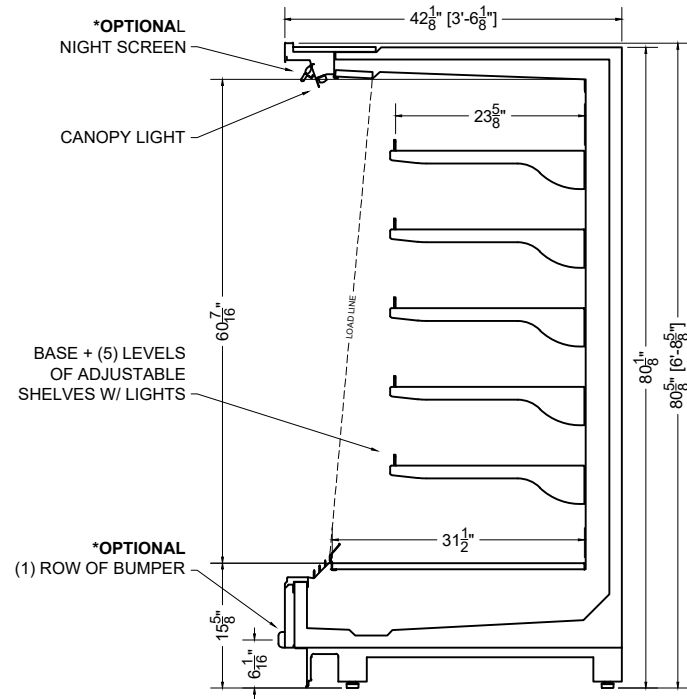
12.3-MDC-81ADM-R

SHEYENNE

| QTY | DESCRIPTION | PART NUMBER | VOLTAGE | PHASE | AMPS | TOTAL AMPS |
|-----|-------------------|-------------|---------|-------|------|------------|
| 18 | 45° LED 4000K 24V | LG-FX-XXX-X | 115V | 1 | 0.50 | 9.00 |
| 6 | EVAPORATOR FAN | AFXXX | 115V | 1 | 0.20 | 1.20 |

CIRCUIT#1 (LIGHTS) TOTAL AMPS: 9.00 VOLTAGE: 115/1/60 CONNECTION: HARDWIRED
 CIRCUIT#2 (FANS) TOTAL AMPS: 1.20 VOLTAGE: 115/1/60 CONNECTION: HARDWIRED
 MODEL: MDC-81ADM APPLICATION: DELI BTUH: 20280 EVAP TEMP: 14°F
 DEFROST: TIME-OFF, 4/45MIN, 50° TEMP TERMINATION

PACKOUT VOLUME: 150.03 CUBIC FT.
 INTERNAL VOLUME: 195.46 CUBIC FT.



SECTION VIEW

