

PLAN MECHANICAL VIEW

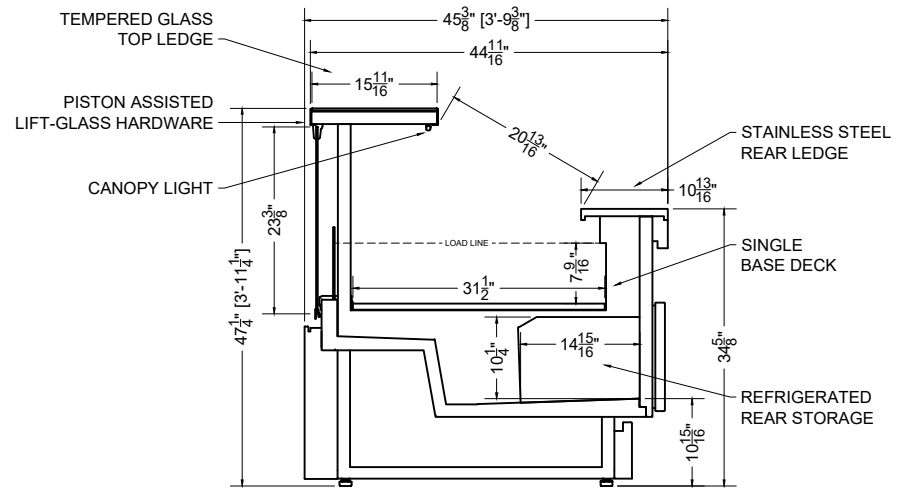
12.3-SCS-47ASBR-R

CORONADO

QTY	DESCRIPTION	PART NUMBER	VOLTAGE	PHASE	AMPS	TOTAL AMPS
3	45" LED 2700K 24V	LG-FX-XXX-X	115V	1	0.50	1.50
4	EVAPORATOR FAN	AFXXX	115V	1	0.08	0.32
3	AIR SWEEP FAN	AFXXX	115V	1	0.08	0.24

CIRCUIT#1 (LIGHTS)	TOTAL AMPS: 1.50	VOLTAGE: 115/1/60	CONNECTION: HARDWIRED
CIRCUIT#2 (FANS)	TOTAL AMPS: 0.32	VOLTAGE: 115/1/60	CONNECTION: HARDWIRED
CIRCUIT#3 (ANTI-COND.)	TOTAL AMPS: 0.24	VOLTAGE: 115/1/60	CONNECTION: HARDWIRED
MODEL: SCS-47ASBR	APPLICATION: FRESH MEAT	BTUH: 7037	EVAP TEMP: 14°F
DEFROST: TIME-OFF, 4/45MIN, 50° TEMP TERMINATION			

PACKOUT VOLUME: 20.38 CUBIC FT.
INTERNAL VOLUME: 57.09 CUBIC FT.
REAR STORAGE: 13.12 CUBIC FT.



SECTION VIEW

