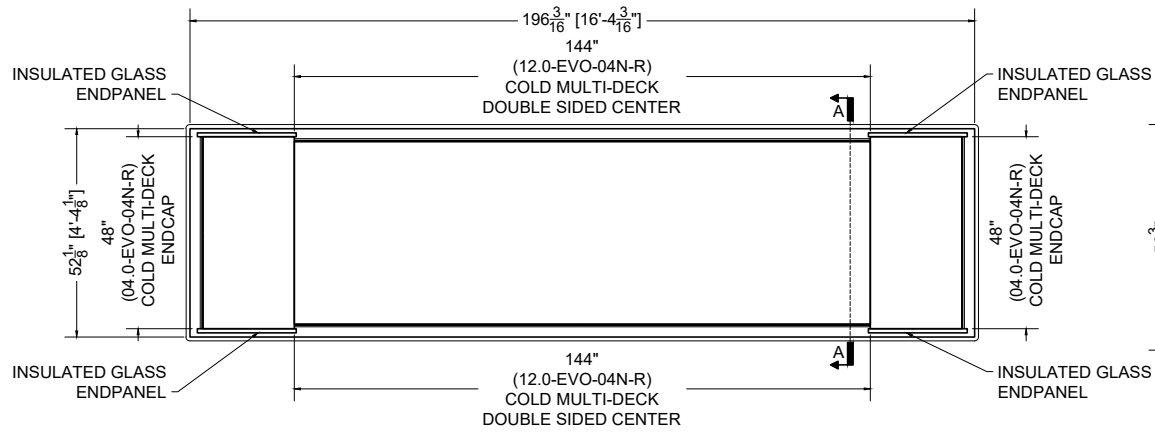
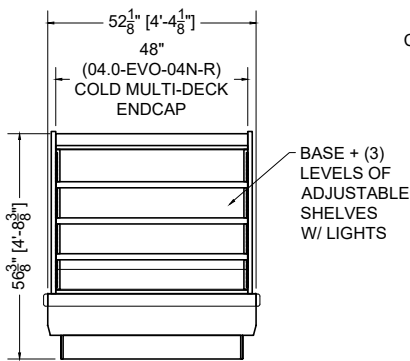
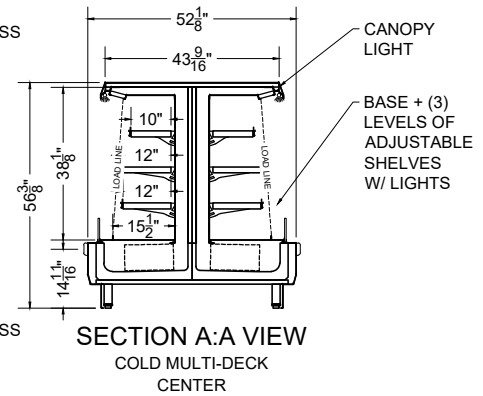


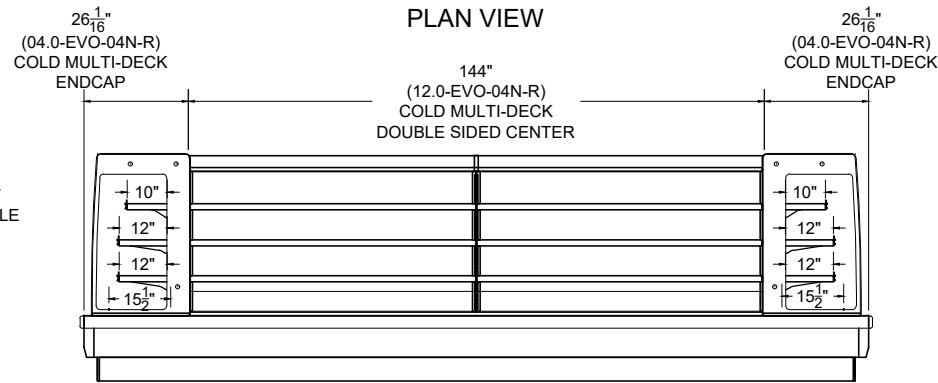
COLD MULTI-DECK
SIDE VIEW



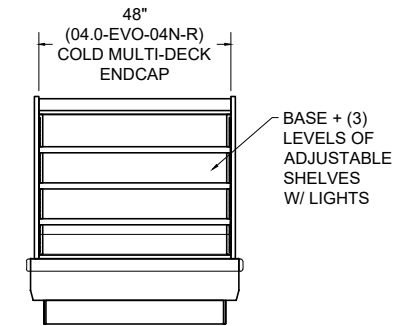
PLAN VIEW



COLD MULTI-DECK
END VIEW



COLD MULTI-DECK
SIDE VIEW



COLD MULTI-DECK
END VIEW

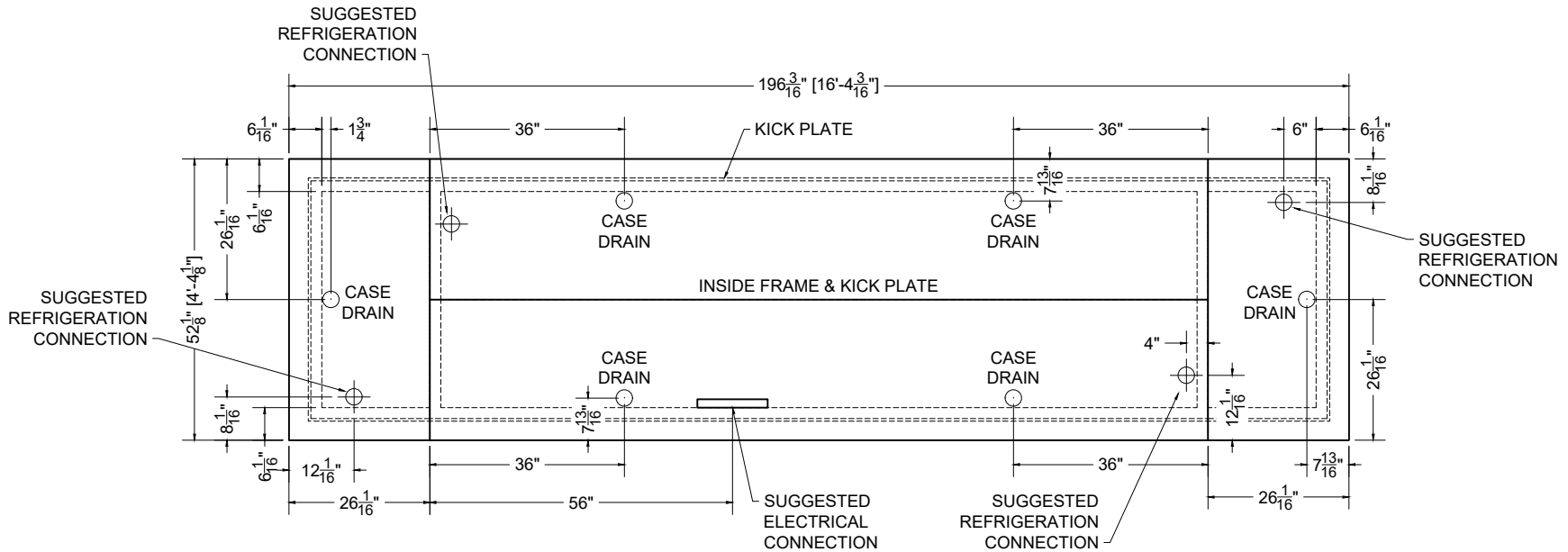


16.0-EVO-04N-R (A0,B0,C0,D0)

QTY	DESCRIPTION	PART NUMBER	VOLTAGE	PHASE	AMPS	TOTAL AMPS
8	45" LED 3500K, FROSTED, 24V	LG-FX-XXX-X	115V	1	0.09	0.72
16	67" LED 3500K, FROSTED, 24V	LG-FX-XXX-X	115V	1	0.13	2.08
22	EVAPORATOR FAN	AFXXX	115V	1	0.24	5.28

CIRCUIT#1 (LIGHTS) TOTAL AMPS:2.80 VOLTAGE:115/1/60 CONNECTION:HARDWIRED
 CIRCUIT#2 (FANS) TOTAL AMPS:5.28 VOLTAGE:115/1/60 CONNECTION:HARDWIRED
 MODEL:EVO-04N APPLICATION:DELI BTUH:32736 EVAP TEMP: 22°F
 DEFROST:TIME-OFF, 4/40MIN, 47° TEMP TERMINATION

CONFORMS TO UL STD 471.
 CONFORMS TO NSF STD 7.
 CERTIFIED TO CAN/CSA STD C22.2 NO. 120.



PLAN MECHANICAL VIEW

