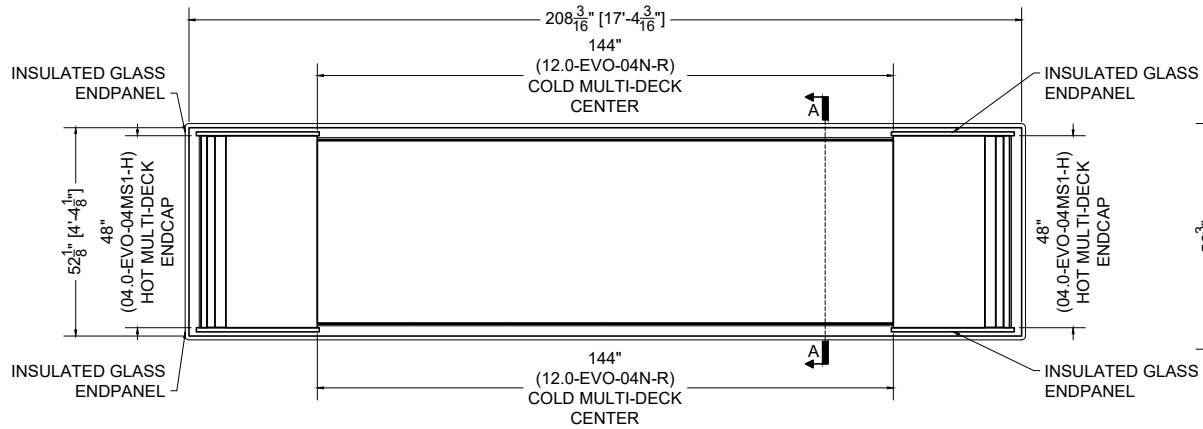
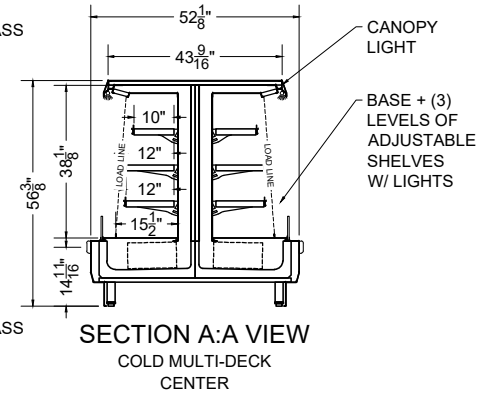


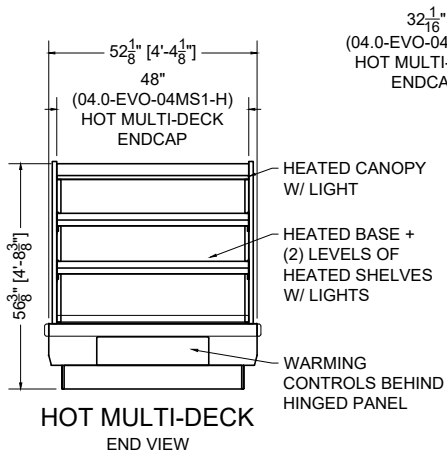
COLD MULTI-DECK
SIDE VIEW



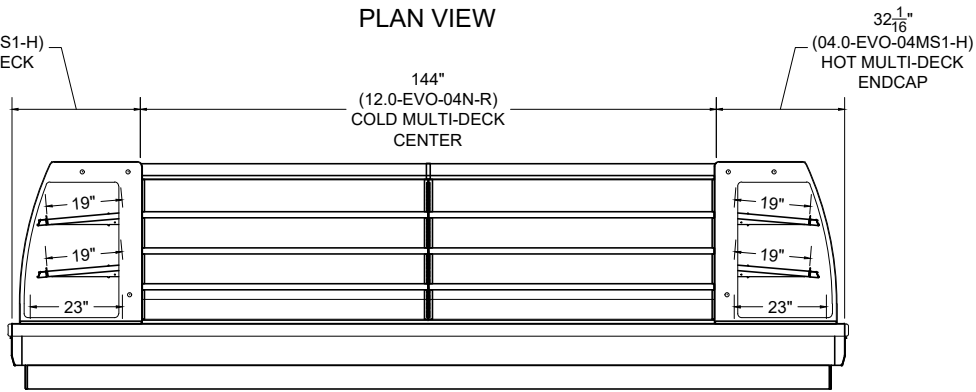
PLAN VIEW



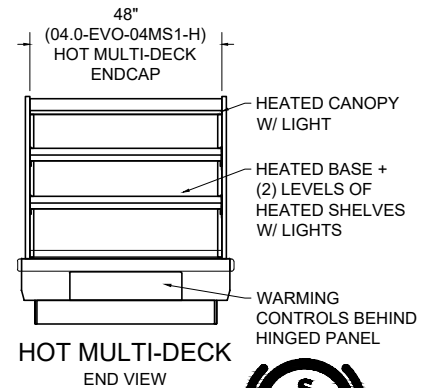
SECTION A:A VIEW
COLD MULTI-DECK CENTER



HOT MULTI-DECK
END VIEW



COLD MULTI-DECK
SIDE VIEW



HOT MULTI-DECK
END VIEW

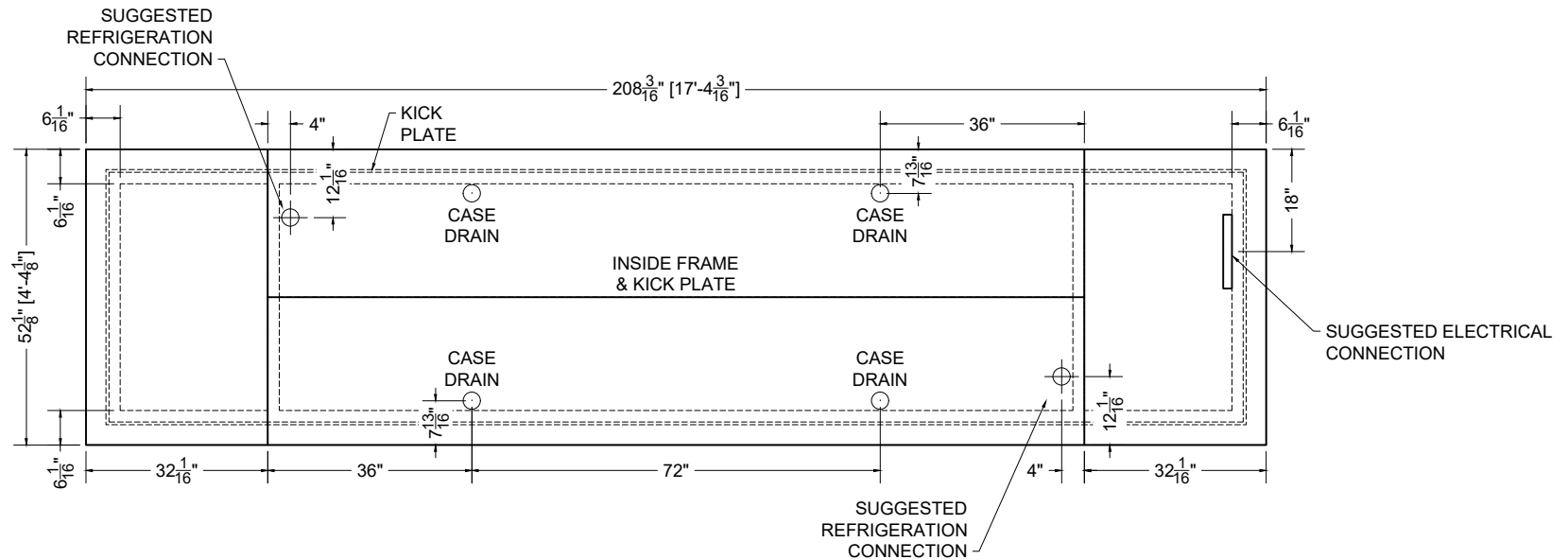


17.0-EVO-04N-R (A0,B0,C1,D1)

QTY	DESCRIPTION	PART NUMBER	VOLTAGE	PHASE	AMPS	TOTAL AMPS
18	12" LED 3500K, FROSTED, 24V	LG-FX-XXX-X	115V	1	0.02	0.36
16	67" LED 3500K, FROSTED, 24V	LG-FX-XXX-X	115V	1	0.13	2.08
16	EVAPORATOR FAN	AFXXX	115V	1	0.24	3.84
2	FOIL HEATER, CANOPY, 4'	FS-HT-0514-A	208V	1	3.60	7.20
4	FOIL HEATER, SHELF, 4'	FS-HT-0514-A	208V	1	3.60	14.40
4	FOIL HEATER, BASE DECK, 4'	FS-HT-0274-A	208V	1	2.50	10.00

CIRCUIT#1 (COLD LIGHTS)	TOTAL AMPS: 2.08	VOLTAGE: 115/1/60	CONNECTION: HARDWIRED
CIRCUIT#2 (FANS)	TOTAL AMPS: 3.84	VOLTAGE: 115/1/60	CONNECTION: HARDWIRED
CIRCUIT#3 (HOT END #1)	TOTAL AMPS: 15.98	VOLTAGE: 208/1/60	CONNECTION: HARDWIRED
CIRCUIT#4 (HOT END #2)	TOTAL AMPS: 15.98	VOLTAGE: 208/1/60	CONNECTION: HARDWIRED
MODEL: EVO-04N	APPLICATION: DELI	BTUH: 24552	EVAP TEMP: 22°F
DEFROST: TIME-OFF, 4/40MIN, 47° TEMP TERMINATION			

CONFORMS TO UL STD 471.
 CONFORMS TO UL STD 197.
 CONFORMS TO NSF STD 7.
 CONFORMS TO NSF STD 4.
 CERTIFIED TO CAN/CSA STD C22.2 NO. 120.



PLAN MECHANICAL VIEW

