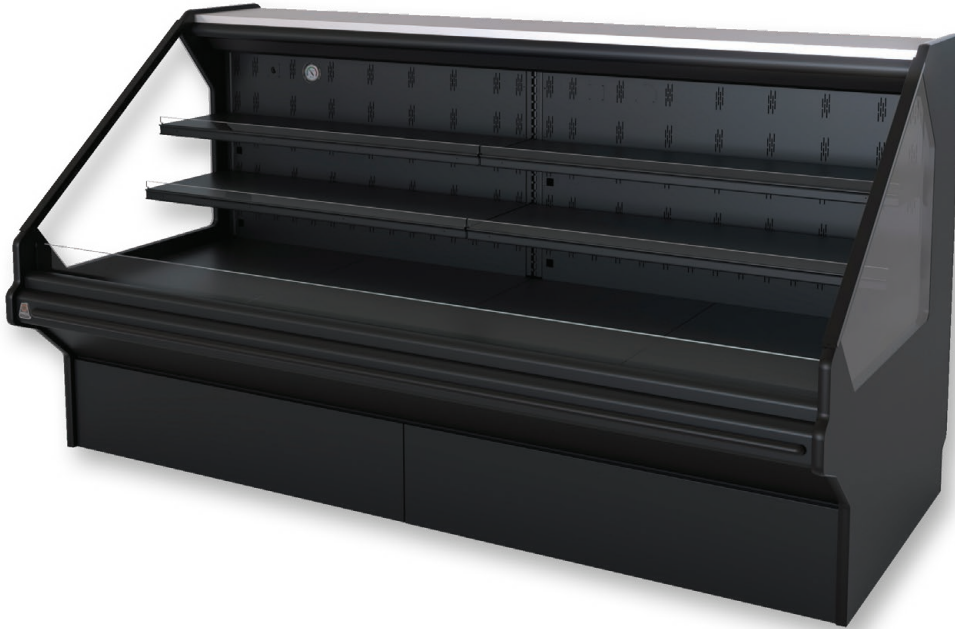




Allegheny
Open Deck Merchandiser | Cold
ODC-03S-R



southerncasearts.com | 800.552.6283



OVERVIEW



The Allegheny Open Deck Merchandiser from Southern CaseArts is an extremely versatile case. Featuring an open deck design with two adjustable shelves and LED lights, this case is sure to attract customers. Whether showcasing meat, cheese, produce, sandwiches, prepared foods or beverages, the Allegheny will be a favorite destination in your store.

STANDARD FEATURES

- **Nominal Length:** 6.0', 8.0', 10.0' & 12.0'
- **Interior Lighting:** 3500K LED lights
- **Shelving:** 2 adjustable shelves with LED lights
- Remote
- **Exterior:** Black powder coat

PRODUCT CATEGORIES



Meat



Deli



Cheese/
Dairy



Produce



Snacks/
Sandwiches



Chilled
Beverages



Prepared
Food

06.0-ODC-03S-R | Allegheny Open Deck Merchandiser

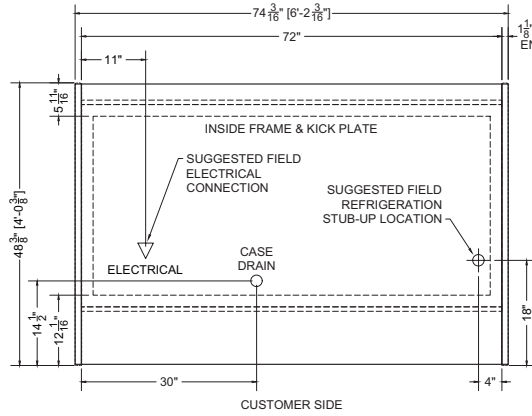
QTY	DESCRIPTION	PART NUMBER	VOLTAGE	PHASE	AMPS	TOTAL AMPS
8	34" LED 3500K, FROSTED, 24V	LG-FX-XXX-X	115V	1	0.07	0.56
3	EVAPORATOR FAN	RF-FA-XXXX	115V	1	0.17	0.51

CIRCUIT#1 (LIGHTS) TOTAL AMPS: 0.56 VOLTAGE: 115/1/60 CONNECTION: HARDWIRED
 CIRCUIT#2 (FANS) TOTAL AMPS: 0.51 VOLTAGE: 115/1/60 CONNECTION: HARDWIRED
 MODEL: ODC-03S APPLICATION: DELI BTUH: 5352 EVAP TEMP: 22°F
 DEFROST: TIME-OFF, 4/40 MIN, 47° TEMP TERMINATION

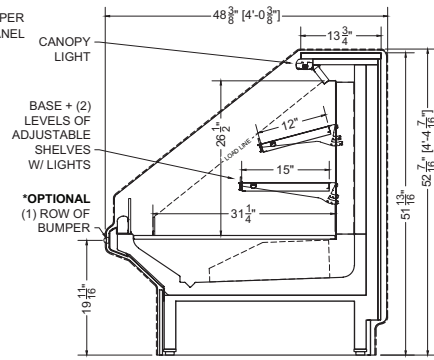
PACKOUT VOLUME: 20.24 CUBIC FT.
INTERNAL VOLUME: 28.27 CUBIC FT.

* OPTIONAL COMPONENT LOAD INCLUDED





Plan Mechanical View



Section View

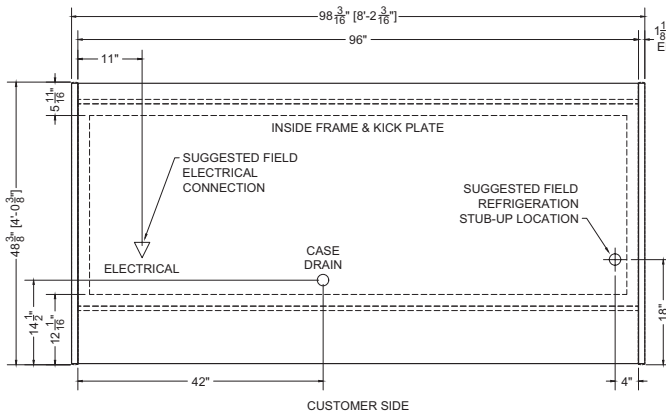
08.0-ODC-03S-R | Allegheny Open Deck Merchandiser

QTY	DESCRIPTION	PART NUMBER	VOLTAGE	PHASE	AMPS	TOTAL AMPS
8	45" LED 3500K, FROSTED, 24V	LG-FX-XXX-X	115V	1	0.09	0.72
4	EVAPORATOR FAN	RF-FA-XXXX	115V	1	0.17	0.68

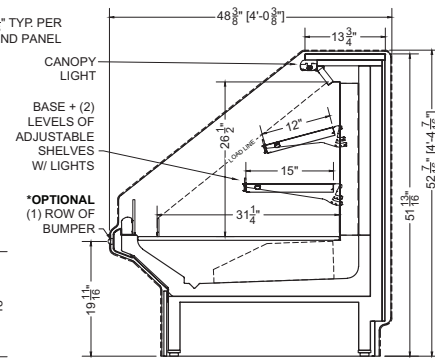
CIRCUIT#1 (LIGHTS) TOTAL AMPS: 0.72 VOLTAGE: 115/1/60 CONNECTION: HARDWIRED
 CIRCUIT#2 (FANS) TOTAL AMPS: 0.68 VOLTAGE: 115/1/60 CONNECTION: HARDWIRED
 MODEL: ODC-03S APPLICATION: DELI BTUH: 7136 EVAP TEMP: 22°F
 DEFROST: TIME-OFF, 4/40 MIN, 47° TEMP TERMINATION

PACKOUT VOLUME: 26.99 CUBIC FT.
 INTERNAL VOLUME: 37.69 CUBIC FT.

* OPTIONAL COMPONENT LOAD INCLUDED



Plan Mechanical View



Section View

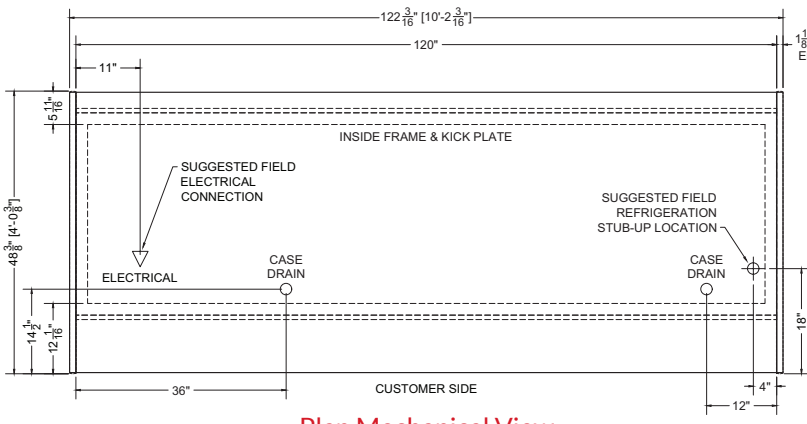
10.0-ODC-03S-R | Allegheny Open Deck Merchandiser

QTY	DESCRIPTION	PART NUMBER	VOLTAGE	PHASE	AMPS	TOTAL AMPS
8	34" LED 3500K, FROSTED, 24V	LG-FX-XXX-X	115V	1	0.07	0.56
4	45" LED 3500K, FROSTED, 24V	LG-FX-XXX-X	115V	1	0.09	0.36
5	EVAPORATOR FAN	RF-FA-XXXX	115V	1	0.17	0.85

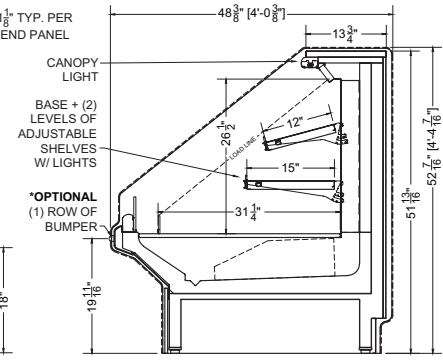
CIRCUIT#1 (LIGHTS) TOTAL AMPS: 0.92 VOLTAGE: 115/1/60 CONNECTION: HARDWIRED
 CIRCUIT#2 (FANS) TOTAL AMPS: 0.85 VOLTAGE: 115/1/60 CONNECTION: HARDWIRED
 MODEL: ODC-03S APPLICATION: DELI BTUH: 8920 EVAP TEMP: 22°F
 DEFROST: TIME-OFF, 4/40 MIN, 47° TEMP TERMINATION

PACKOUT VOLUME: 33.73 CUBIC FT.
 INTERNAL VOLUME: 47.11 CUBIC FT.

* OPTIONAL COMPONENT LOAD INCLUDED



Plan Mechanical View



Section View

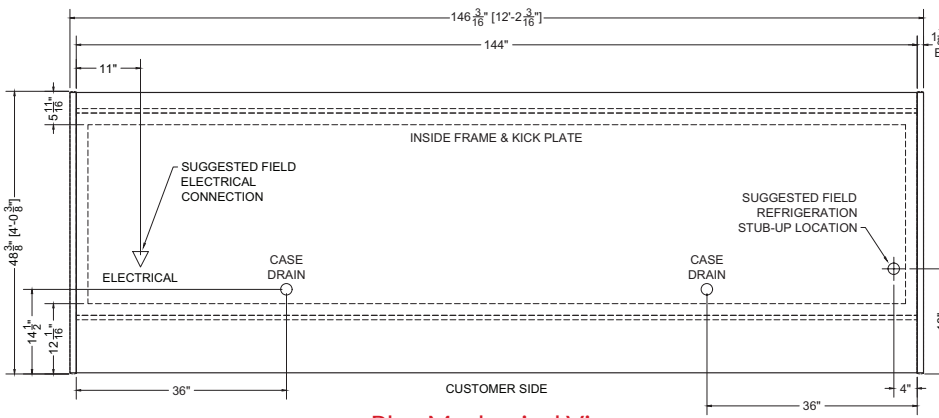
12.0-ODC-03S-R | Allegheny Open Deck Merchandiser

QTY	DESCRIPTION	PART NUMBER	VOLTAGE	PHASE	AMPS	TOTAL AMPS
12	45" LED 3500K, FROSTED, 24V	LG-FX-XXX-X	115V	1	0.09	1.08
6	EVAPORATOR FAN	RF-FA-XXXX	115V	1	0.17	1.02

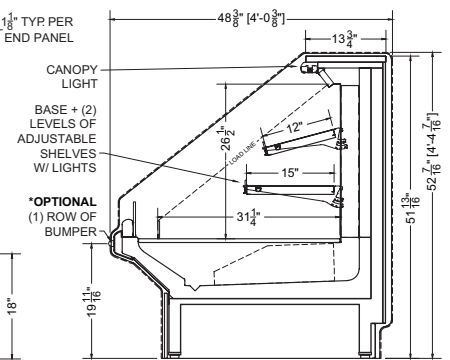
CIRCUIT#1 (LIGHTS) TOTAL AMPS: 1.08 VOLTAGE:115/1/60 CONNECTION: HARDWIRED
 CIRCUIT#2 (FANS) TOTAL AMPS: 1.02 VOLTAGE:115/1/60 CONNECTION: HARDWIRED
 MODEL: ODC-03S APPLICATION: DELI BTUH: 10704 EVAP TEMP: 22°F
 DEFOREST: TIME-OFF, 4/40 MIN, 47° TEMP TERMINATION

PACKOUT VOLUME: 40.48 CUBIC FT.
 INTERNAL VOLUME: 56.53 CUBIC FT.

* OPTIONAL COMPONENT LOAD INCLUDED



Plan Mechanical View



Section View



CONFORMS TO UL STD 471.
 CONFORMS TO NSF STD 7.
 CERTIFIED TO CAN/CSA STD C22.2 NO. 120.

For more information on the Allegheny Open Deck Merchandiser, contact one of our Southern CaseArts representatives or check out our website to learn more about all of the products offered by Southern CaseArts.



southerncasearts.com

© 2024 Southern CaseArts. All rights reserved. Information and specifications subject to change without notice. All values are design or typical values when measured under laboratory conditions.