



**Bismark**  
**Multideck Merchandiser | Cold**  
**MDC-81AVH-S**



southerncasearts.com | 800.552.6283

**OVERVIEW**



The **Bismark Multideck Merchandiser** from **Southern CaseArts** provides a perfect way to showcase meats, cheese, snacks & sandwiches, beverages, and prepared foods. Available in four lengths, this energy efficient case features four adjustable shelves, LED lighting and an optional night screen.

**Image Not Available**

**STANDARD FEATURES**

- **Nominal Length:** 3.1', 4.1', 6.2', & 8.2'
- **Shelving:** 4 adjustable shelves with LED lights
- Self-contained
- Optional night screen
- **Exterior:** Black powder coat

**PRODUCT CATEGORIES**



Meat



Cheese/  
Dairy



Snacks/  
Sandwiches



Chilled  
Beverages



Prepared  
Food

**03.1-MDC-81AVH-S | Bismark Multideck Merchandiser**

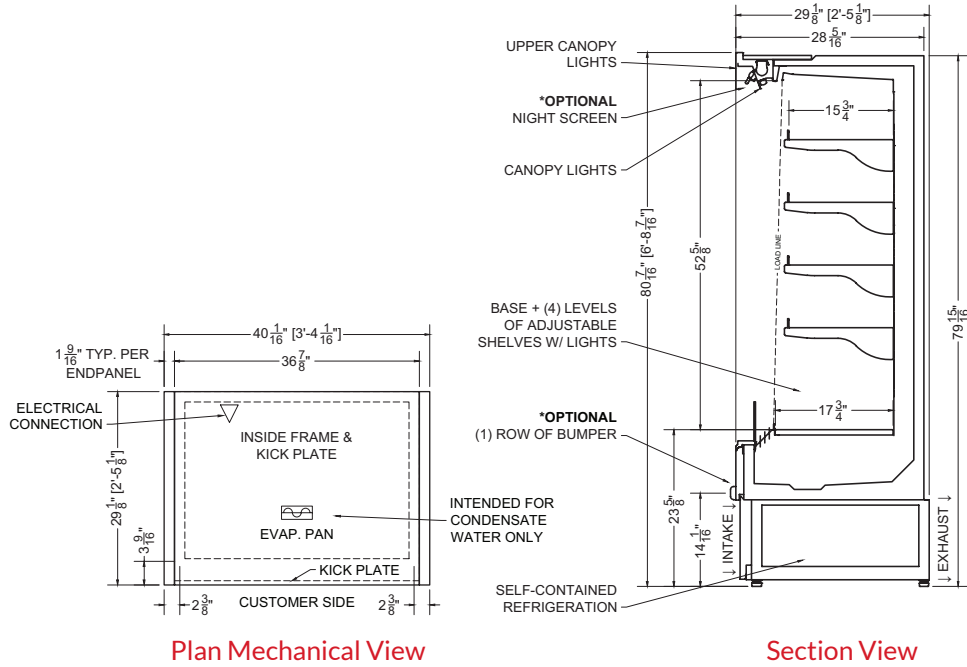
QTY	DESCRIPTION	PART NUMBER	VOLTAGE	PHASE	AMPS	TOTAL AMPS
6	33" LED 4000K, 24V	LG-FX-XXX-X	115V	1	0.38	2.25
1	EVAPORATOR FAN	RF-FA-XXXX	115V	1	0.20	0.20
1	COMPRESSOR	---	115V	1	6.92	6.92
2	CONDENSER COIL FAN MOTOR	---	115V	1	0.20	0.40
1	EVAP PAN	---	115V	1	9.57	9.57

CIRCUIT#1      **TOTAL AMPS:** 19.34      **VOLTAGE:** 115/1/60      **CONNECTION:** 5-30P  
**MODEL:** MDC-81AVH      **APPLICATION:** DELI      **BTUH:** 5333      **EVAP TEMP:** 14°F  
**DEFROST:** TIME-OFF, 4/45 MIN, 50° TEMP TERMINATION

\* R290 (PROPANE) REFRIGERATION AVAILABLE

**PACKOUT VOLUME:** 19.83 CUBIC FT.  
**INTERNAL VOLUME:** 25.16 CUBIC FT.





Plan Mechanical View

Section View

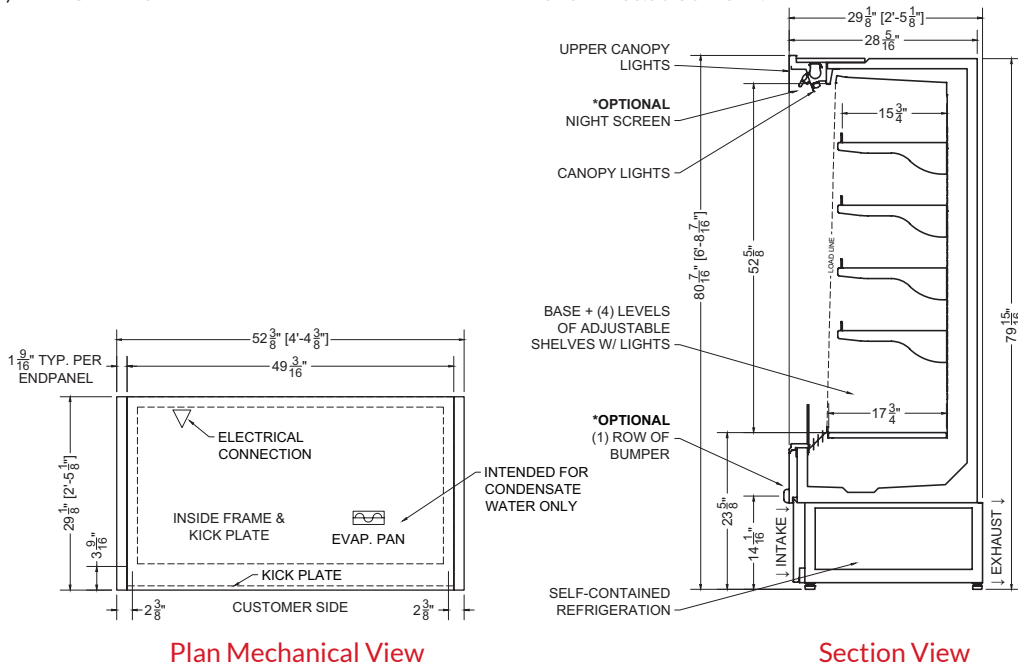
04.1-MDC-81AVH-S | Bismark Multideck Merchandiser

QTY	DESCRIPTION	PART NUMBER	VOLTAGE	PHASE	AMPS	TOTAL AMPS
6	45" LED 4000K, 24V	LG-FX-XXX-X	115V	1	0.50	3.00
2	EVAPORATOR FAN	RF-FA-XXXX	115V	1	0.20	0.40
1	COMPRESSOR	---	115V	1	6.92	6.92
2	CONDENSER COIL FAN MOTOR	---	115V	1	0.20	0.40
1	EVAP PAN	---	115V	1	9.57	9.57

CIRCUIT#1 TOTAL AMPS: 20.29 VOLTAGE: 115/1/60 CONNECTION: 5-30P  
 MODEL: MDC-81AVH APPLICATION: DELI BTUH: 6408 EVAP TEMP: 14°F  
 DEFROST: TIME-OFF, 4/45 MIN, 50° TEMP TERMINATION

PACKOUT VOLUME: 26.45 CUBIC FT.  
 INTERNAL VOLUME: 33.56 CUBIC FT.

\* R290 (PROPANE) REFRIGERATION AVAILABLE



Plan Mechanical View

Section View



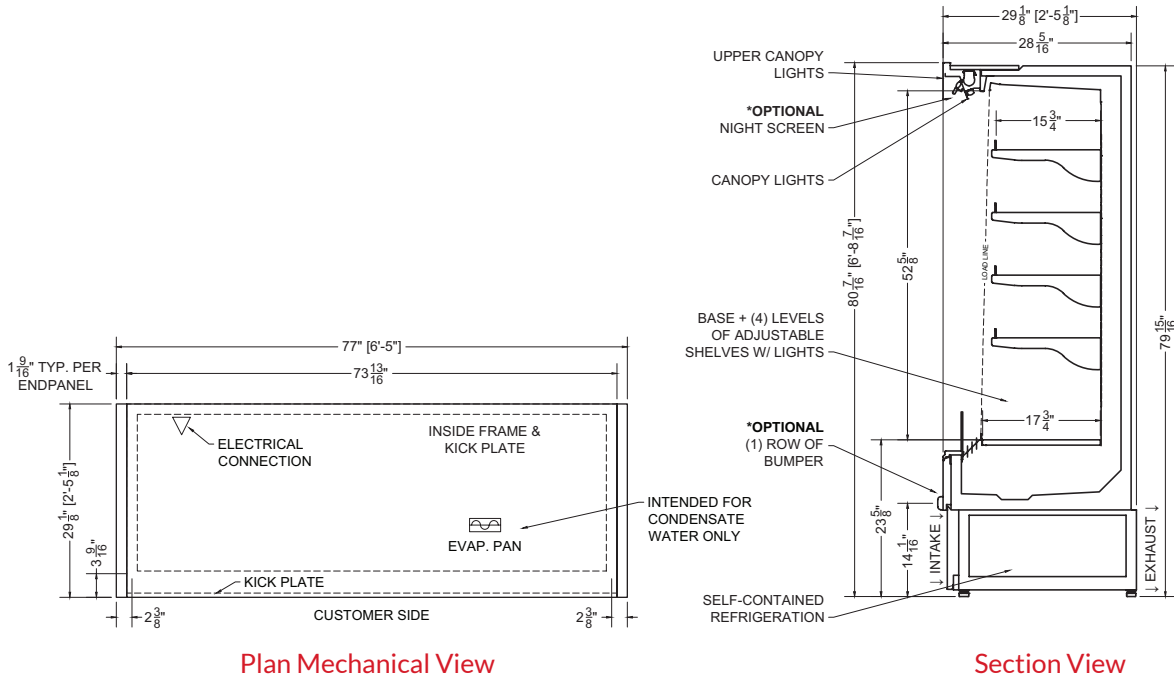
06.2-MDC-81AVH-S | Bismark Multideck Merchandiser

QTY	DESCRIPTION	PART NUMBER	VOLTAGE	PHASE	AMPS	TOTAL AMPS
12	33" LED 4000K, 24V	LG-FX-XXX-X	115V	1	0.38	4.50
3	EVAPORATOR FAN	RF-FA-XXXX	115V	1	0.20	0.60
2	COMPRESSOR	---	115V	1	4.68	9.36
2	CONDENSER COIL FAN MOTOR	---	115V	1	0.20	0.40
1	EVAP PAN	---	115V	1	9.57	9.57

CIRCUIT#1      **TOTAL AMPS: 24.43**    **VOLTAGE: 115/1/60**      **CONNECTION: 5-30P**  
**MODEL: MDC-81AVH**    **APPLICATION: DELI**    **BTUH: 7697**      **EVAP TEMP: 14°F**  
**DEFROST: TIME-OFF, 4/45 MIN, 50° TEMP TERMINATION**

**PACKOUT VOLUME: 39.67 CUBIC FT.**  
**INTERNAL VOLUME: 50.34 CUBIC FT.**

\* R290 (PROPANE) REFRIGERATION AVAILABLE



Plan Mechanical View

Section View

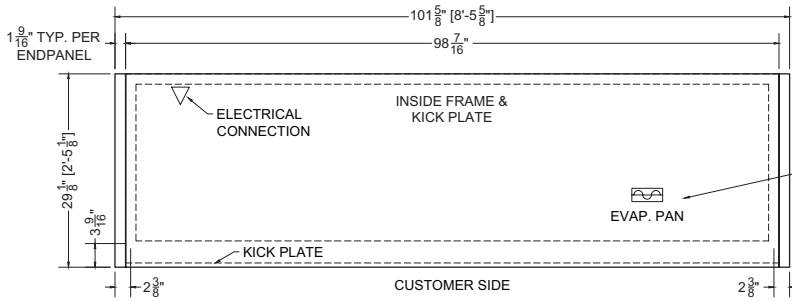
08.2-MDC-81AVH-S | Bismark Multideck Merchandiser

QTY	DESCRIPTION	PART NUMBER	VOLTAGE	PHASE	AMPS	TOTAL AMPS
12	45" LED 4000K, 24V	LG-FX-XXX-X	115V	1	0.50	6.00
4	EVAPORATOR FAN	RF-FA-XXXX	115V	1	0.20	0.80
2	COMPRESSOR	---	115V	1	6.92	13.84
4	CONDENSER COIL FAN MOTOR	---	115V	1	0.20	0.80
1	EVAP PAN	---	115V	1	12.17	12.17

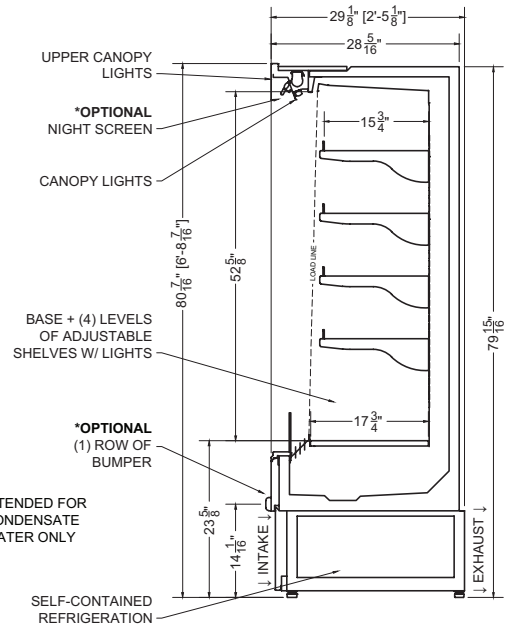
CIRCUIT#1      **TOTAL AMPS: 33.61**    **VOLTAGE: 115/1/60**      **CONNECTION: 5-50P**  
**MODEL: MDC-81AVH**    **APPLICATION: DELI**    **BTUH: 6408**      **EVAP TEMP: 14°F**  
**DEFROST: TIME-OFF, 4/45 MIN, 50° TEMP TERMINATION**

**PACKOUT VOLUME: 52.90 CUBIC FT.**  
**INTERNAL VOLUME: 67.12 CUBIC FT.**

\* R290 (PROPANE) REFRIGERATION AVAILABLE



Plan Mechanical View



Section View

For more information on the Bismark Multideck Merchandiser, contact one of our Southern CaseArts representatives or check out our website to learn more about all of the products offered by Southern CaseArts.