



# Cottonwood Multideck Merchandiser | Cold CHS-56AN-S



southerncasearts.com | 800.552.6283



## OVERVIEW

The **Southern CaseArts Cottonwood** multideck merchandiser may be compact but it can put a lot of product at customers fingertips. The versatile **Cottonwood** not only comes in 2ft, 3ft, and 4ft lengths, but also offers multi-temperature options - the upper deck can be used for cold, or ambient temperatures, while the lower deck is refrigerated only. It is perfect for deli items, cheese, bakery, beverages, prepared food and produce. This self-contained unit is available with an option for R290 propane refrigerant which complements it's low energy compressor design for enhanced energy efficiency.

### STANDARD FEATURES

- **Nominal Length:** 2.3', 3.1' & 4.1'
- **Shelves:** One adjustable
- **Refrigerant:** R290 propane (optional)
- **Interior Lighting:** LED, 4000K, 24V
- Self-contained
- **Exterior Color:** Black powder coat

### PRODUCT CATEGORIES



Deli



Produce



Snacks/  
Sandwiches



Bakery



Beverages



Prepared  
Food

\* NOTE: Lower deck is refrigerated only.

### 02.3-CHS-56AN-S | Cottonwood Multideck Merchandiser

QTY	DESCRIPTION	PART NUMBER	VOLTAGE	PHASE	AMPS	TOTAL AMPS
2	24" LED 4000K, 24V	LG-FX-XXX-X	115V	1	0.25	0.50
2	EVAPORATOR FAN	AFXXX	115V	1	0.08	0.16
1	COMPRESSOR	---	115V	1	5.95	5.95
1	CONDENSER COIL FAN MOTOR	---	115V	1	0.20	0.20
1	EVAP PAN	---	115V	1	3.48	3.48

CIRCUIT#1

TOTAL AMPS: 10.29

VOLTAGE: 115/1/60

CONNECTION: 5-15P

MODEL: CHS-56AN

APPLICATION: DELI

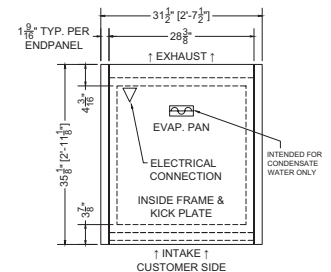
BTUH: 3849

EVAP TEMP: 14°F

DEFROST: TIME-OFF, 4/45MIN, 50° TEMP TERMINATION

\* R290 (PROPANE) REFRIGERATION AVAILABLE

TOP PACKOUT VOLUME: 3.22 CUBIC FT.  
BOTTOM PACKOUT VOLUME: 4.26 CUBIC FT.  
TOP INTERNAL VOLUME: 3.82 CUBIC FT.  
BOTTOM INTERNAL VOLUME: 5.46 CUBIC FT.



### Plan Mechanical View



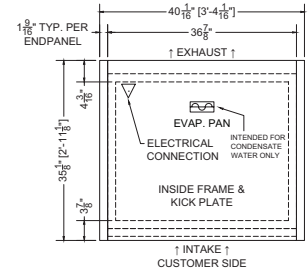


### 03.1-CHS-56AN-S | Cottonwood Multideck Merchandiser

QTY	DESCRIPTION	PART NUMBER	VOLTAGE	PHASE	AMPS	TOTAL AMPS
2	34" LED 4000K, 24V	LG-FX-XXX-X	115V	1	0.38	0.75
2	EVAPORATOR FAN	AFXXX	115V	1	0.08	0.16
1	COMPRESSOR	---	115V	1	5.95	5.95
1	CONDENSER COIL FAN MOTOR	---	115V	1	0.20	0.20
1	EVAP PAN	---	115V	1	3.48	3.48

CIRCUIT#1 TOTAL AMPS: 10.54 VOLTAGE: 115/1/60 CONNECTION: 5-15P  
 MODEL: CHS-56AN APPLICATION: DELI BTUH: 4351 EVAP TEMP: 14°F  
 DEFROST: TIME-OFF, 4/45MIN, 50° TEMP TERMINATION  
 \* R290 (PROPANE) REFRIGERATION AVAILABLE

TOP PACKOUT VOLUME: 4.19 CUBIC FT.  
 BOTTOM PACKOUT VOLUME: 5.55 CUBIC FT.  
 TOP INTERNAL VOLUME: 4.97 CUBIC FT.  
 BOTTOM INTERNAL VOLUME: 7.10 CUBIC FT.



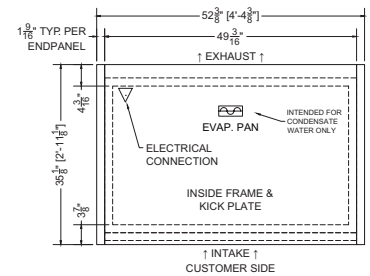
Plan Mechanical View

### 04.1-CHS-56AN-S | Cottonwood Multideck Merchandiser

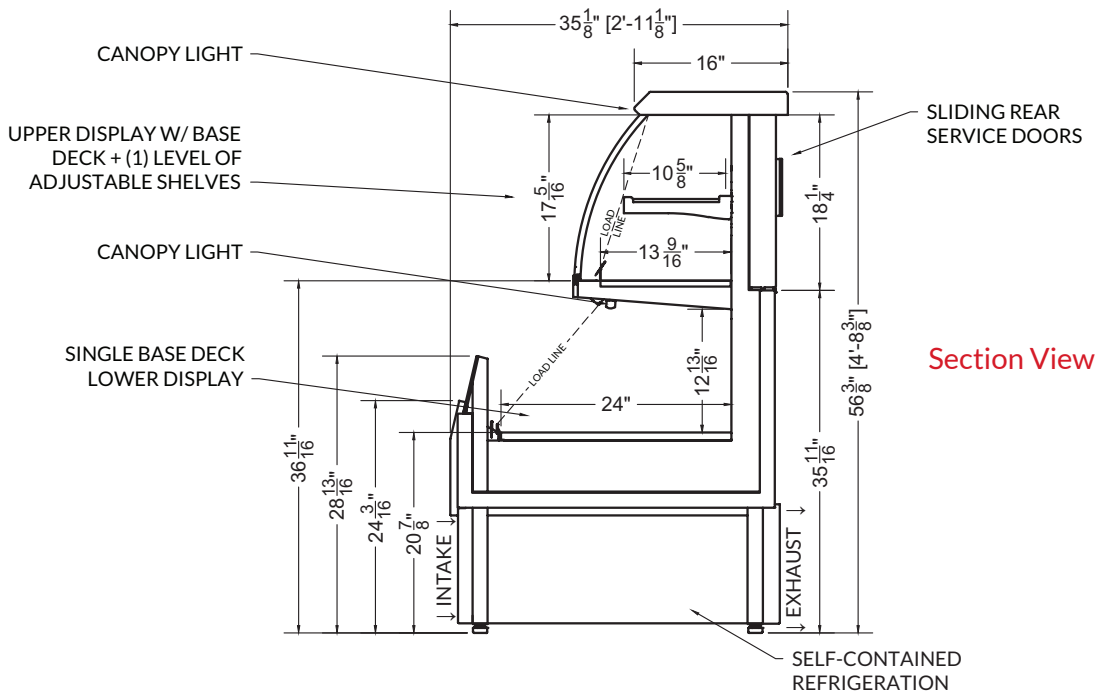
QTY	DESCRIPTION	PART NUMBER	VOLTAGE	PHASE	AMPS	TOTAL AMPS
2	45" LED 4000K, 24V	LG-FX-XXX-X	115V	1	0.50	1.00
3	EVAPORATOR FAN	AFXXX	115V	1	0.08	0.24
1	COMPRESSOR	---	115V	1	6.96	6.96
2	CONDENSER COIL FAN MOTOR	---	115V	1	0.20	0.40
1	EVAP PAN	---	115V	1	3.48	3.48

CIRCUIT#1 TOTAL AMPS: 12.08 VOLTAGE: 115/1/60 CONNECTION: 5-20P  
 MODEL: CHS-56AN APPLICATION: DELI BTUH: 5074 EVAP TEMP: 14°F  
 DEFROST: TIME-OFF, 4/45MIN, 50° TEMP TERMINATION  
 \* R290 (PROPANE) REFRIGERATION AVAILABLE

TOP PACKOUT VOLUME: 5.59 CUBIC FT.  
 BOTTOM PACKOUT VOLUME: 7.40 CUBIC FT.  
 TOP INTERNAL VOLUME: 6.63 CUBIC FT.  
 BOTTOM INTERNAL VOLUME: 9.48 CUBIC FT.



Plan Mechanical View



Section View

For more information on this Cottonwood Multideck Merchandiser, contact one of our Southern CaseArts representatives or check out our website to learn more about all of the products offered by Southern CaseArts.