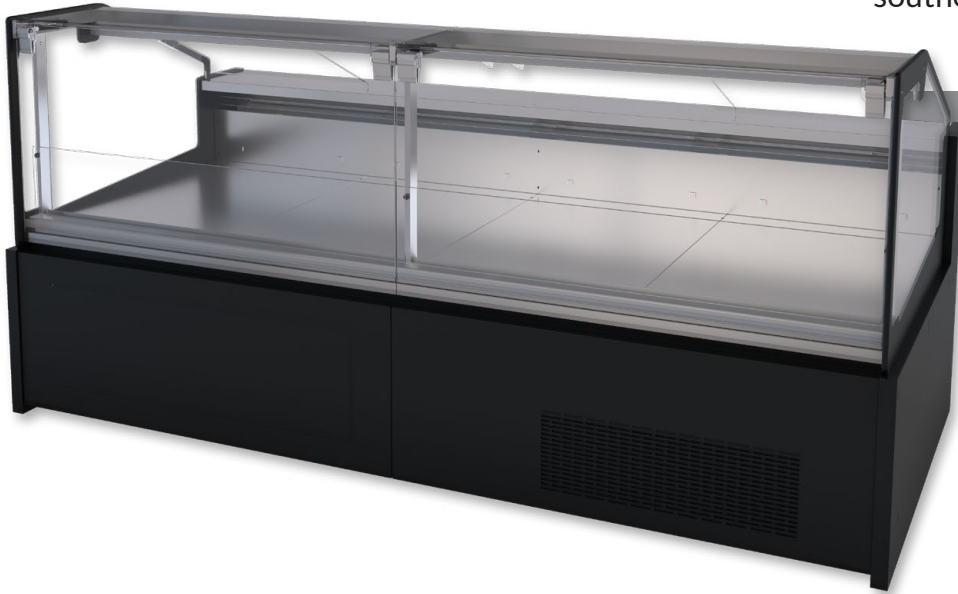




Hemlock
Service Merchandiser | Cold
SCS-47ASBL-S & SCS-49ASIL-S



southerncasearts.com | 800.552.6283



OVERVIEW



The **Hemlock Service Merchandiser** from **Southern CaseArts** is sure to become a reliable favorite in your store. Available in four lengths and two style options, this case provides energy efficiency and maximum packout. The **Hemlock** features LED canopy lighting, full view tempered glass to really showcase meats, cheese, deli and dairy.

STANDARD FEATURES

- **Nominal Length:** 3.1', 4.1', 6.2' & 8.2'
- **Interior Lighting:** 2700K LED lights
- **Exterior:** Tempered glass, black powder coat and stainless steel

PRODUCT CATEGORIES



Meat



Deli



Cheese/
Dairy



Milk

03.1-SCS-47ASBL-S | Hemlock Service Merchandiser

QTY	DESCRIPTION	PART NUMBER	VOLTAGE	PHASE	AMPS	TOTAL AMPS
1	34" LED 2700K, 24V	LG-FX-XXX-X	115V	1	0.38	0.38
1	EVAPORATOR FAN	AFXXX	115V	1	0.20	0.20
1	AIR SWEEP FAN	AFXXX	115V	1	0.08	0.08
1	COMPRESSOR	---	115V	1	2.97	2.97
1	CONDENSER COIL FAN MOTOR	---	115V	1	0.20	0.20
1	EVAP PAN	---	115V	1	3.48	3.48
1	GLASS HEATER	---	115V	1	1.74	1.74

CIRCUIT#1

MODEL: SCS-47ASBL

DEFROST: TIME-OFF, 4/45MIN, 50° TEMP TERMINATION

* R290 (PROPANE) REFRIGERATION AVAILABLE

TOTAL AMPS: 9.05

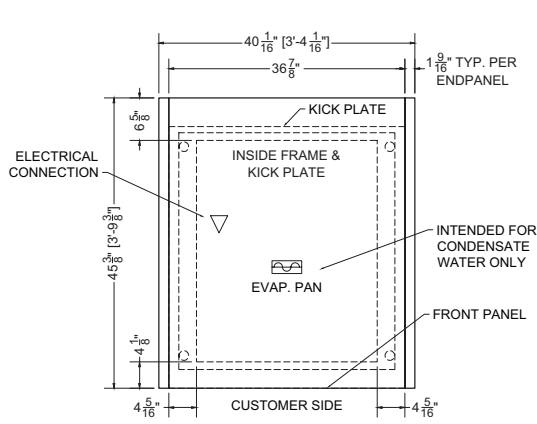
APPLICATION: FRESH MEAT

VOLTAGE: 115/1/60
BTUH: 2637

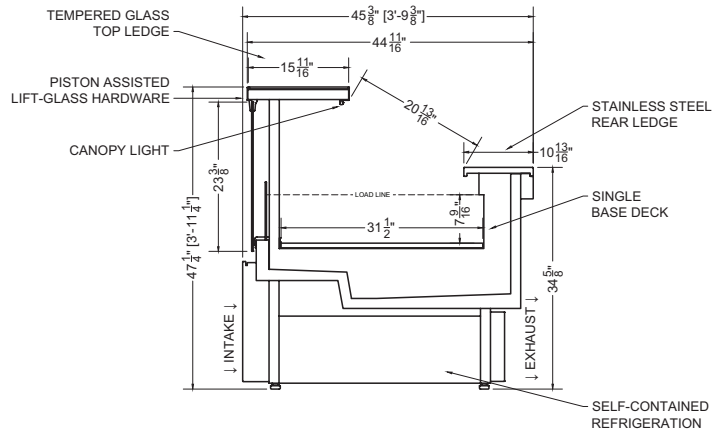
CONNECTION: 5-15P
EVAP TEMP: 14°F

PACKOUT VOLUME: 5.09 CUBIC FT.
INTERNAL VOLUME: 14.27 CUBIC FT.





Plan Mechanical View



Section View

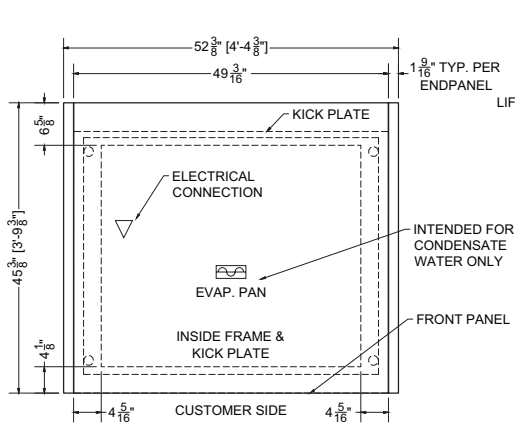
04.1-SCS-47ASBL-S | Hemlock Service Merchandiser

QTY	DESCRIPTION	PART NUMBER	VOLTAGE	PHASE	AMPS	TOTAL AMPS
1	45" LED 2700K, 24V	LG-FX-XXX-X	115V	1	0.50	0.50
1	EVAPORATOR FAN	AFXXX	115V	1	0.20	0.20
1	AIR SWEEP FAN	AFXXX	115V	1	0.08	0.08
1	COMPRESSOR	---	115V	1	2.84	2.84
1	CONDENSER COIL FAN MOTOR	---	115V	1	0.20	0.20
1	EVAP PAN	---	115V	1	3.48	3.48
1	GLASS HEATER	---	115V	1	2.17	2.17

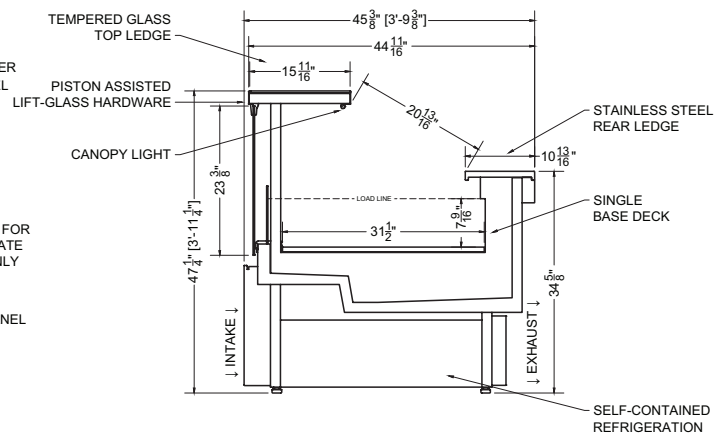
CIRCUIT#1 TOTAL AMPS: 9.47
 MODEL: SCS-47ASBL APPLICATION: FRESH MEAT
 DEFROST: TIME-OFF, 4/45MIN, 50° TEMP TERMINATION
 * R290 (PROPANE) REFRIGERATION AVAILABLE

VOLTAGE: 115/1/60 CONNECTION: 5-15P
 BTUH: 2907 EVAP TEMP: 14°F

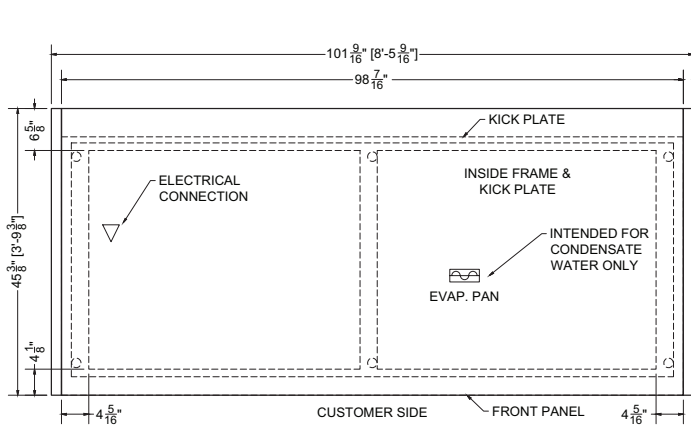
PACKOUT VOLUME: 6.79 CUBIC FT.
 INTERNAL VOLUME: 19.03 CUBIC FT.



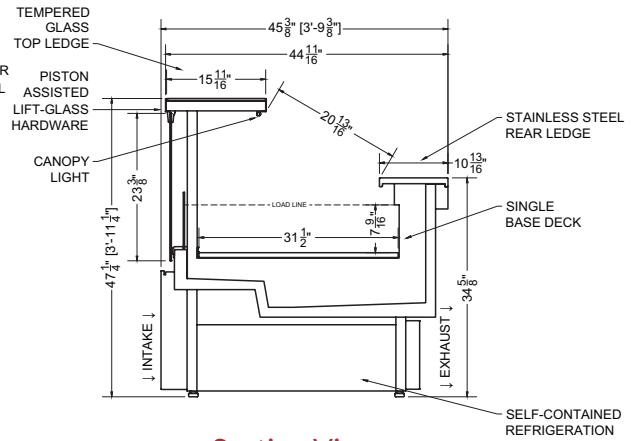
Plan Mechanical View



Section View



Plan Mechanical View



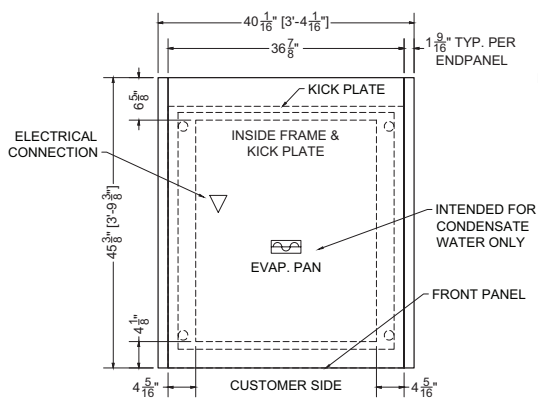
Section View

03.1-SCS-49ASIL-S | Hemlock Service Merchandiser

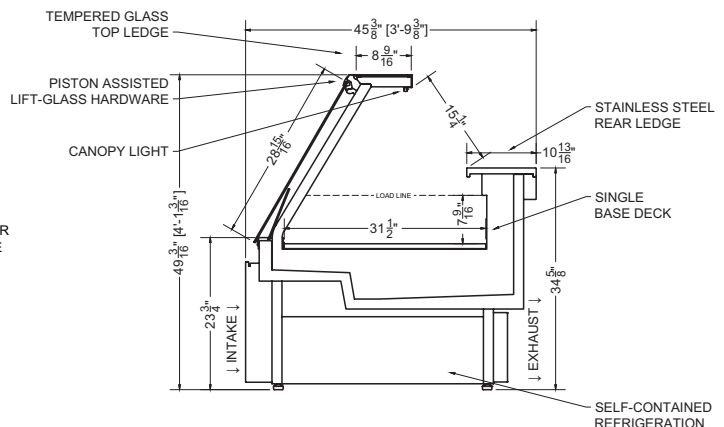
QTY	DESCRIPTION	PART NUMBER	VOLTAGE	PHASE	AMPS	TOTAL AMPS
1	34" LED 2700K, 24V	LG-FX-XXX-X	115V	1	0.38	0.38
1	EVAPORATOR FAN	AFXXX	115V	1	0.20	0.20
1	AIR SWEEP FAN	AFXXX	115V	1	0.08	0.08
1	COMPRESSOR	---	115V	1	2.97	2.97
1	CONDENSER COIL FAN MOTOR	---	115V	1	0.20	0.20
1	EVAP PAN	---	115V	1	3.48	3.48
1	GLASS HEATER	---	115V	1	1.74	1.74

CIRCUIT#1 TOTAL AMPS: 9.05 VOLTAGE: 115/1/60 CONNECTION: 5-15P
 MODEL: SCS-49ASIL APPLICATION: FRESH MEAT BTUH: 2637 EVAP TEMP: 14°F
 DEFROST: TIME-OFF, 4/45MIN, 50° TEMP TERMINATION
 * R290 (PROPANE) REFRIGERATION AVAILABLE

PACKOUT VOLUME: 4.86 CUBIC FT.
 INTERNAL VOLUME: 13.07 CUBIC FT.



Plan Mechanical View



Section View

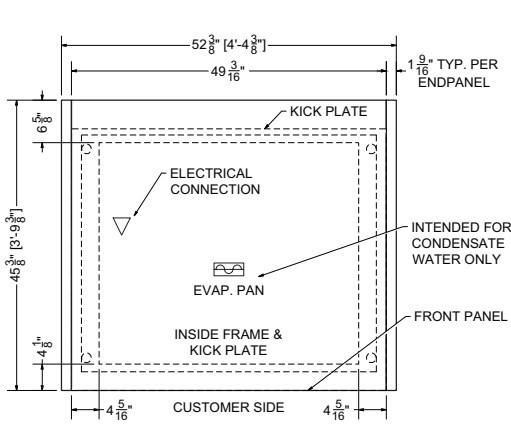


04.1-SCS-49ASIL-S | Hemlock Service Merchandiser

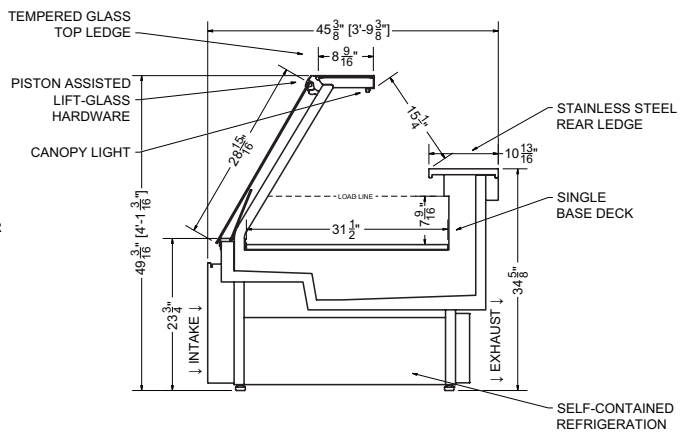
QTY	DESCRIPTION	PART NUMBER	VOLTAGE	PHASE	AMPS	TOTAL AMPS
1	45" LED 2700K, 24V	LG-FX-XXX-X	115V	1	0.50	0.50
1	EVAPORATOR FAN	AFXXX	115V	1	0.20	0.20
1	AIR SWEEP FAN	AFXXX	115V	1	0.08	0.08
1	COMPRESSOR	---	115V	1	2.84	2.84
1	CONDENSER COIL FAN MOTOR	---	115V	1	0.20	0.20
1	EVAP PAN	---	115V	1	3.48	3.48
1	GLASS HEATER	---	115V	1	2.17	2.17

CIRCUIT#1 **TOTAL AMPS: 9.47** **VOLTAGE: 115/1/60** **CONNECTION: 5-15P**
MODEL: SCS-47ASBL **APPLICATION: FRESH MEAT** **BTUH: 2907** **EVAP TEMP: 14°F**
DEFROST: TIME-OFF, 4/45MIN, 50° TEMP TERMINATION
 * R290 (PROPANE) REFRIGERATION AVAILABLE

PACKOUT VOLUME: 6.48 CUBIC FT.
INTERNAL VOLUME: 17.43 CUBIC FT.



Plan Mechanical View



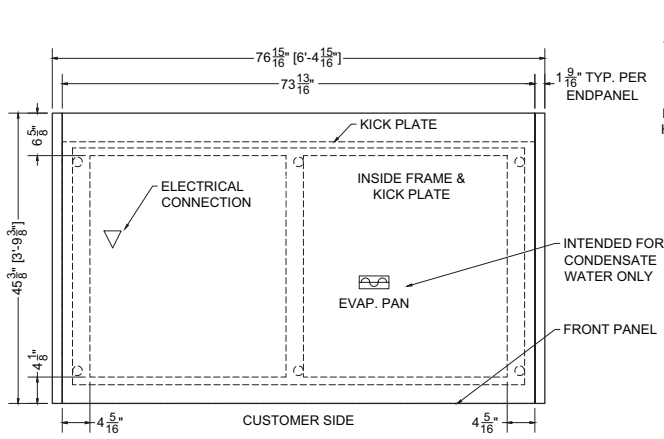
Section View

06.2-SCS-49ASIL-S | Hemlock Service Merchandiser

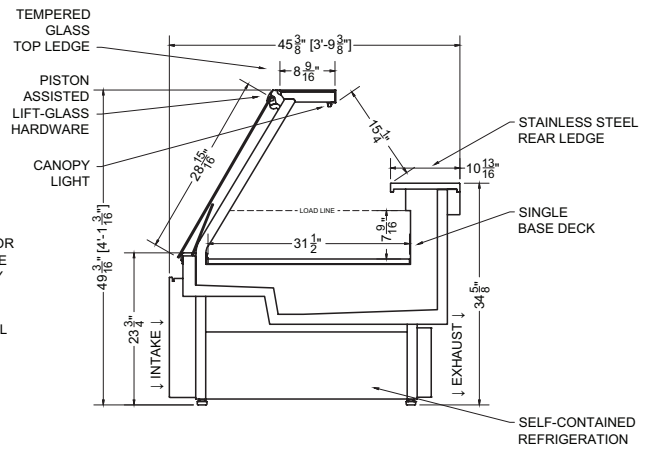
QTY	DESCRIPTION	PART NUMBER	VOLTAGE	PHASE	AMPS	TOTAL AMPS
2	34" LED 2700K, 24V	LG-FX-XXX-X	115V	1	0.38	0.75
2	EVAPORATOR FAN	AFXXX	115V	1	0.20	0.40
2	AIR SWEEP FAN	AFXXX	115V	1	0.08	0.16
1	COMPRESSOR	---	115V	1	4.22	4.22
1	CONDENSER COIL FAN MOTOR	---	115V	1	0.20	0.20
1	EVAP PAN	---	115V	1	6.09	6.09
1	GLASS HEATER	---	115V	1	3.48	3.48

CIRCUIT#1 **TOTAL AMPS: 15.30** **VOLTAGE: 115/1/60** **CONNECTION: 5-20P**
MODEL: SCS-49ASIL **APPLICATION: FRESH MEAT** **BTUH: 3634** **EVAP TEMP: 14°F**
DEFROST: TIME-OFF, 4/45MIN, 50° TEMP TERMINATION
 * R290 (PROPANE) REFRIGERATION AVAILABLE

PACKOUT VOLUME: 9.72 CUBIC FT.
INTERNAL VOLUME: 26.12 CUBIC FT.



Plan Mechanical View

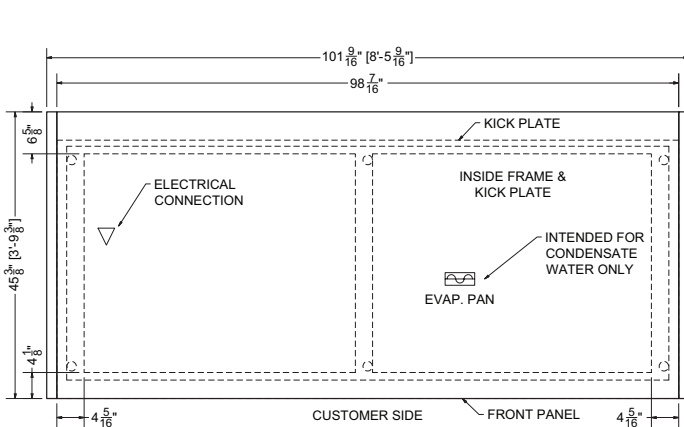


Section View

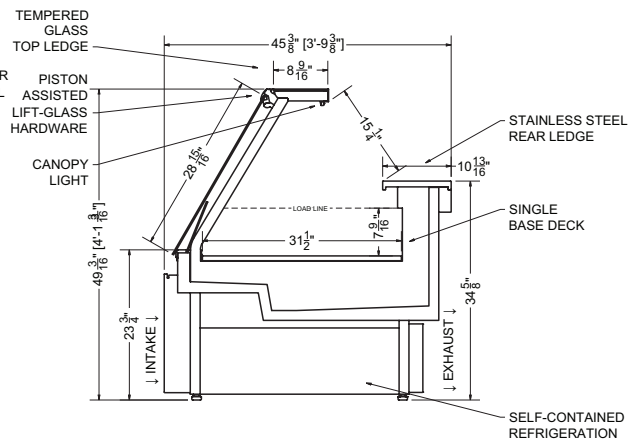
08.2-SCS-49ASIL-S | Hemlock Service Merchandiser

QTY	DESCRIPTION	PART NUMBER	VOLTAGE	PHASE	AMPS	TOTAL AMPS
2	45" LED 2700K, 24V	LG-FX-XXX-X	115V	1	0.50	1.00
2	EVAPORATOR FAN	AFXXX	115V	1	0.20	0.40
2	AIR SWEEP FAN	AFXXX	115V	1	0.08	0.16
1	COMPRESSOR	---	115V	1	5.95	5.95
2	CONDENSER COIL FAN MOTOR	---	115V	1	0.20	0.40
1	EVAP PAN	---	115V	1	6.09	6.09
1	GLASS HEATER	---	115V	1	5.22	5.22

CIRCUIT#1 TOTAL AMPS: 19.22 VOLTAGE: 115/1/60 CONNECTION: 5-30P
 MODEL: SCS-49ASIL APPLICATION: FRESH MEAT BTUH: 5275 EVAP TEMP: 14°F
 DEFROST: TIME-OFF, 4/45MIN, 50° TEMP TERMINATION
 * R290 (PROPANE) REFRIGERATION AVAILABLE
 PACKOUT VOLUME: 12.95 CUBIC FT.
 INTERNAL VOLUME: 34.86 CUBIC FT.



Plan Mechanical View



Section View

For more information on the Hemlock Service Merchandiser, contact one of our Southern CaseArts representatives or check out our website to learn more about all of the products offered by Southern CaseArts.