

Marquette
 Open Deck Merchandiser | Cold
 ODC-46AN-S



southerncasearts.com | 800.552.6283

OVERVIEW



Image Not Available

The **Marquette Open Deck Merchandiser** from **Southern CaseArts** is an extremely versatile case. Featuring an open deck design with two adjustable shelves and LED lights, this case is sure to attract customers. Whether showcasing meat, cheese, dairy, bakery, sandwiches, prepared foods or beverages, the **Marquette** will be a favorite destination in your store.

STANDARD FEATURES

- **Nominal Length:** 4.1', 6.2', & 8.2'
- **Interior Lighting:** 4000K LED
- **Shelving:** 2 adjustable shelves with LED lights
- Self-Contained
- Optional night screen available
- **Exterior:** Black powder coat

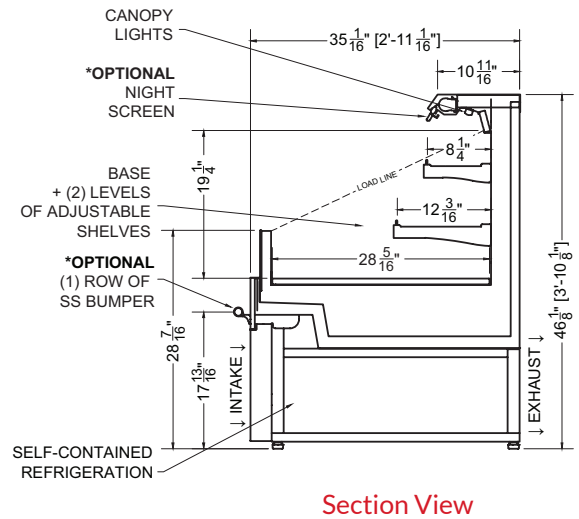
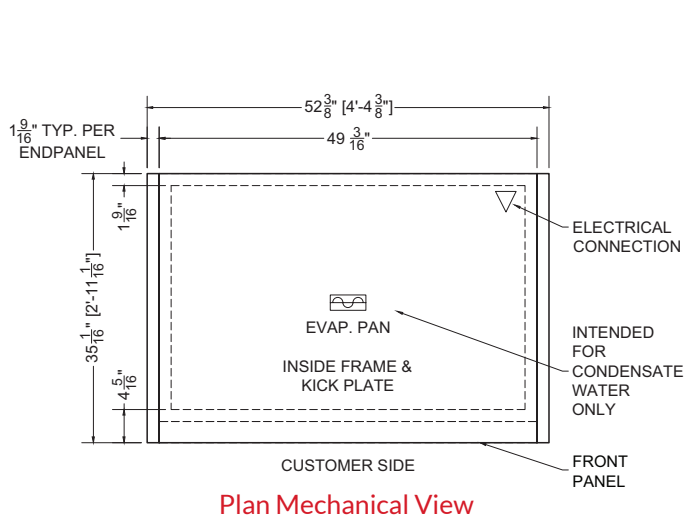
PRODUCT CATEGORIES



04.1-ODC-46AN-S | Marquette Open Deck Merchandiser

QTY	DESCRIPTION	PART NUMBER	VOLTAGE	PHASE	AMPS	TOTAL AMPS
3	45" LED 4000K, 24V	LG-FX-XXX-X	115V	1	0.50	1.50
2	EVAPORATOR FAN	AFXXX	115V	1	0.08	0.16
1	COMPRESSOR	---	115V	1	6.96	6.96
2	CONDENSER COIL FAN MOTOR	---	115V	1	0.20	0.40
1	EVAP PAN	---	115V	1	6.09	6.09

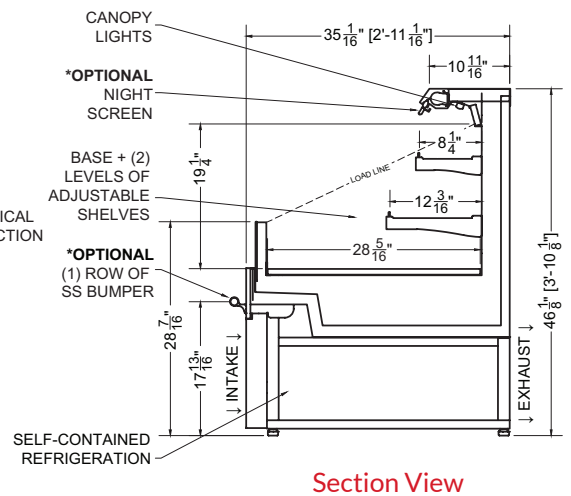
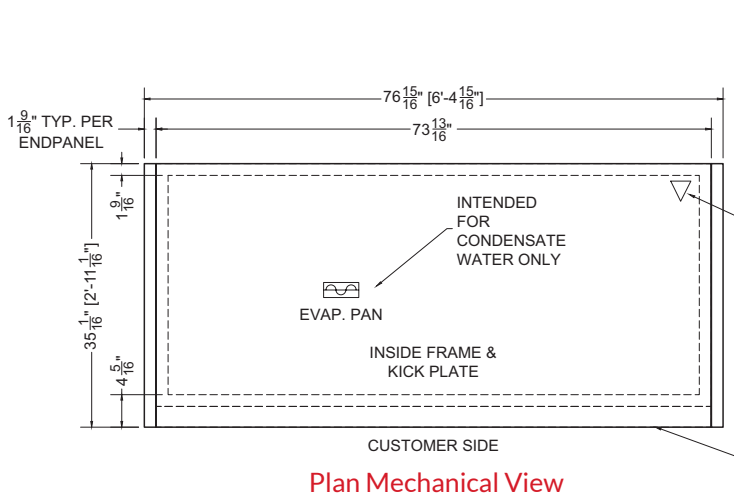
CIRCUIT#1 **TOTAL AMPS:** 15.11 **VOLTAGE:** 115/1/60 **CONNECTION:** 5-20P
MODEL: ODC-46AN **APPLICATION:** DELI **BTUH:** 4692 **EVAP TEMP:** 14°F
DEFROST: TIME-OFF, 4/45MIN, 50° TEMP TERMINATION **PACKOUT VOLUME:** 11.24 CUBIC FT.
 * R290 (PROPANE) REFRIGERATION AVAILABLE **INTERNAL VOLUME:** 14.26 CUBIC FT.



06.2-ODC-46AN-S | Marquette Open Deck Merchandiser

QTY	DESCRIPTION	PART NUMBER	VOLTAGE	PHASE	AMPS	TOTAL AMPS
6	33" LED 4000K, 24V	LG-FX-XXX-X	115V	1	0.38	2.25
3	EVAPORATOR FAN	AFXXX	115V	1	0.08	0.24
1	COMPRESSOR	---	115V	1	6.92	6.92
2	CONDENSER COIL FAN MOTOR	---	115V	1	0.20	0.40
1	EVAP PAN	---	115V	1	9.57	9.57

CIRCUIT#1 **TOTAL AMPS:** 19.38 **VOLTAGE:** 115V/1/60 **CONNECTION:** 5-20P
MODEL: ODC-46AN **APPLICATION:** DELI **BTUH:** 5439 **EVAP TEMP:** 14°F
DEFROST: TIME-OFF, 4/45MIN, 50° TEMP TERMINATION **PACKOUT VOLUME:** 16.86 CUBIC FT.
*** R290 (PROPANE) REFRIGERATION AVAILABLE** **INTERNAL VOLUME:** 21.38 CUBIC FT.

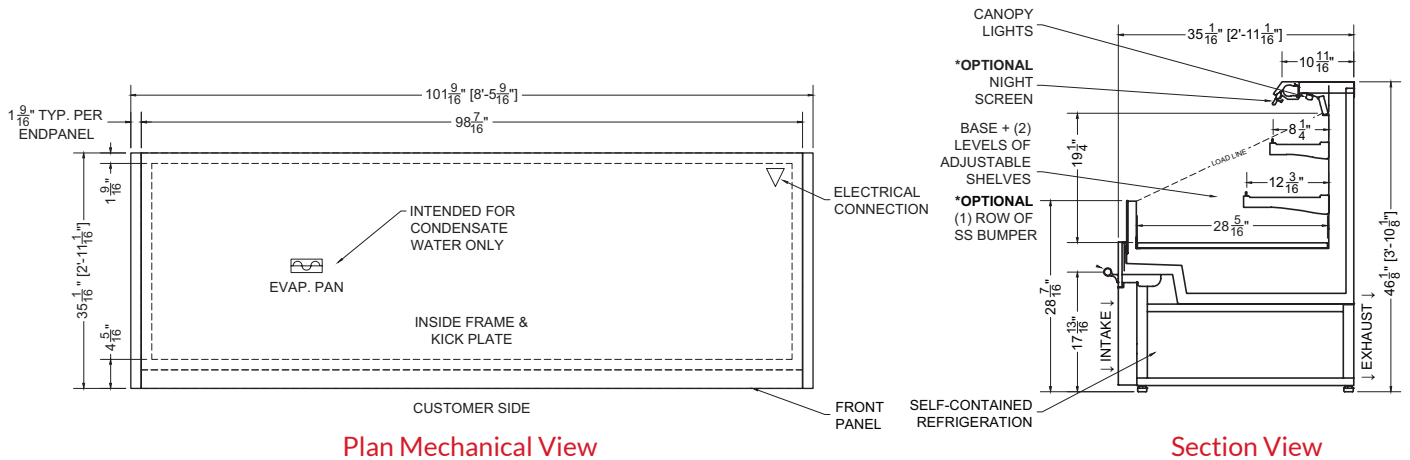




08.2-ODC-46AN-S | Marquette Open Deck Merchandiser

QTY	DESCRIPTION	PART NUMBER	VOLTAGE	PHASE	AMPS	TOTAL AMPS
6	45" LED 4000K, 24V	LG-FX-XXX-X	115V	1	0.50	3.00
4	EVAPORATOR FAN	AFXXX	115V	1	0.08	0.32
1	COMPRESSOR	---	115V	1	11.76	11.76
2	CONDENSER COIL FAN MOTOR	---	115V	1	0.20	0.40
1	EVAP PAN	---	115V	1	9.57	9.57

CIRCUIT#1 **TOTAL AMPS:** 25.05 **VOLTAGE:** 115/1/60 **CONNECTION:** 5-30P
MODEL: ODC-46AN **APPLICATION:** DELI **BTUH:** 7251 **EVAP TEMP:** 14°F
DEFROST: TIME-OFF, 4/45MIN, 50° TEMP TERMINATION **PACKOUT VOLUME:** 22.48 CUBIC FT.
* R290 (PROPANE) REFRIGERATION AVAILABLE **INTERNAL VOLUME:** 28.51 CUBIC FT.



For more information on the Marquette Open Deck Merchandiser, contact one of our **Southern CaseArts** representatives or check out our website to learn more about all of the products offered by **Southern CaseArts**.