



Marquette
Open Deck Merchandiser | Cold
ODC-46AN-S



southerncasearts.com | 800.552.6283



OVERVIEW



The **Marquette Open Deck Merchandiser** from **Southern CaseArts** is an extremely versatile case. Featuring an open deck design with two adjustable shelves and LED lights, this case is sure to attract customers. Whether showcasing meat, cheese, dairy, bakery, sandwiches, prepared foods or beverages, the **Marquette** will be a favorite destination in your store.

STANDARD FEATURES

- **Nominal Length:** 4.1', 6.2', & 8.2'
- **Interior Lighting:** 4000K LED
- **Shelving:** 2 adjustable shelves with LED lights
- **Self-Contained**
- **Optional night screen available**
- **Exterior:** Black powder coat

PRODUCT CATEGORIES



Meat



Deli



Cheese/
Dairy



Milk



Snacks/
Sandwiches



Bakery



Chilled
Beverages



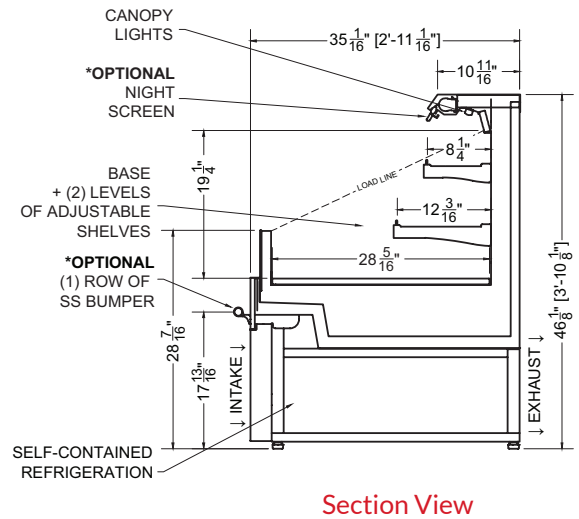
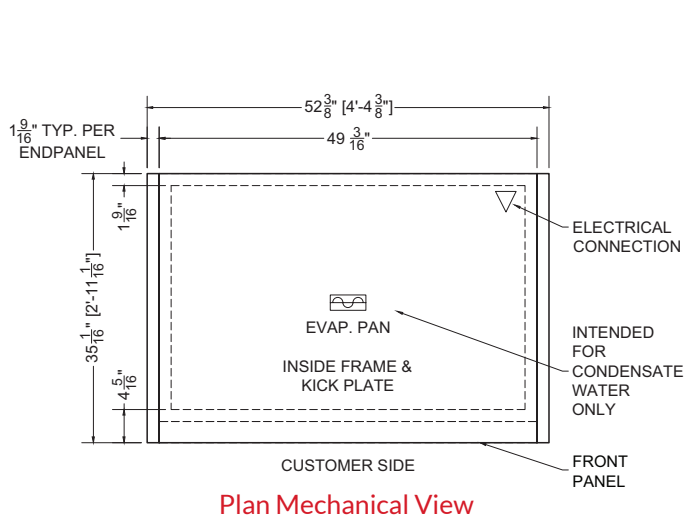
Prepared
Food

04.1-ODC-46AN-S | Marquette Open Deck Merchandiser

QTY	DESCRIPTION	PART NUMBER	VOLTAGE	PHASE	AMPS	TOTAL AMPS
3	45" LED 4000K, 24V	LG-FX-XXX-X	115V	1	0.50	1.50
2	EVAPORATOR FAN	AFXXX	115V	1	0.08	0.16
1	COMPRESSOR	---	115V	1	6.96	6.96
2	CONDENSER COIL FAN MOTOR	---	115V	1	0.20	0.40
1	EVAP PAN	---	115V	1	6.09	6.09

CIRCUIT#1 **TOTAL AMPS: 15.11** **VOLTAGE: 115/1/60** **CONNECTION: 5-20P**
MODEL: ODC-46AN **APPLICATION: DELI** **BTUH: 4692** **EVAP TEMP: 14°F**
DEFROST: TIME-OFF, 4/45MIN, 50° TEMP TERMINATION **PACKOUT VOLUME: 11.24 CUBIC FT.**
*** R290 (PROPANE) REFRIGERATION AVAILABLE** **INTERNAL VOLUME: 14.26 CUBIC FT.**

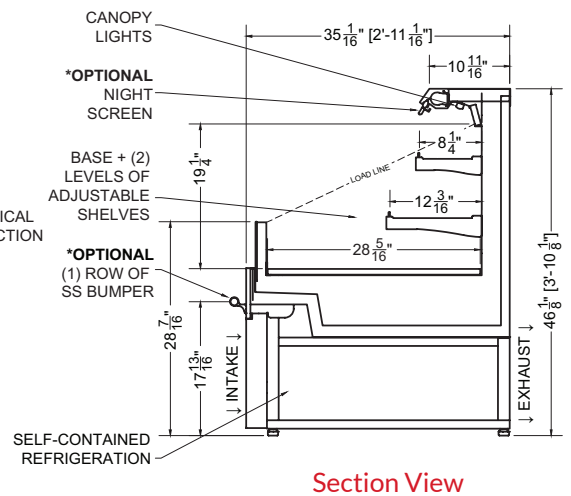
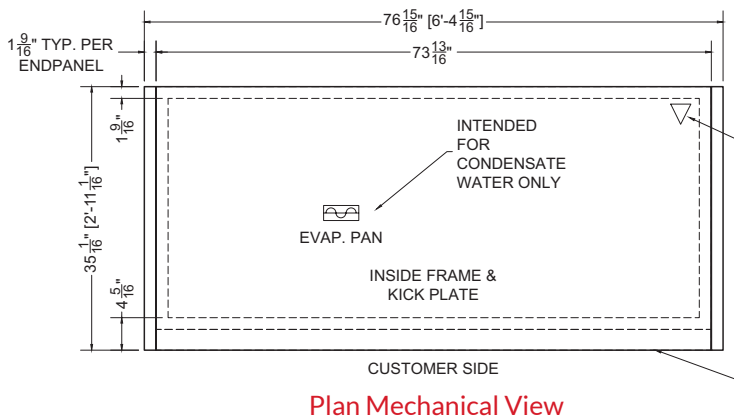




06.2-ODC-46AN-S | Marquette Open Deck Merchandiser

QTY	DESCRIPTION	PART NUMBER	VOLTAGE	PHASE	AMPS	TOTAL AMPS
6	33" LED 4000K, 24V	LG-FX-XXX-X	115V	1	0.38	2.25
3	EVAPORATOR FAN	AFXXX	115V	1	0.08	0.24
1	COMPRESSOR	---	115V	1	6.92	6.92
2	CONDENSER COIL FAN MOTOR	---	115V	1	0.20	0.40
1	EVAP PAN	---	115V	1	9.57	9.57

CIRCUIT#1 **TOTAL AMPS:** 19.38 **VOLTAGE:** 115V/1/60 **CONNECTION:** 5-20P
MODEL: ODC-46AN **APPLICATION:** DELI **BTUH:** 5439 **EVAP TEMP:** 14°F
DEFROST: TIME-OFF, 4/45MIN, 50° TEMP TERMINATION **PACKOUT VOLUME:** 16.86 CUBIC FT.
*** R290 (PROPANE) REFRIGERATION AVAILABLE** **INTERNAL VOLUME:** 21.38 CUBIC FT.

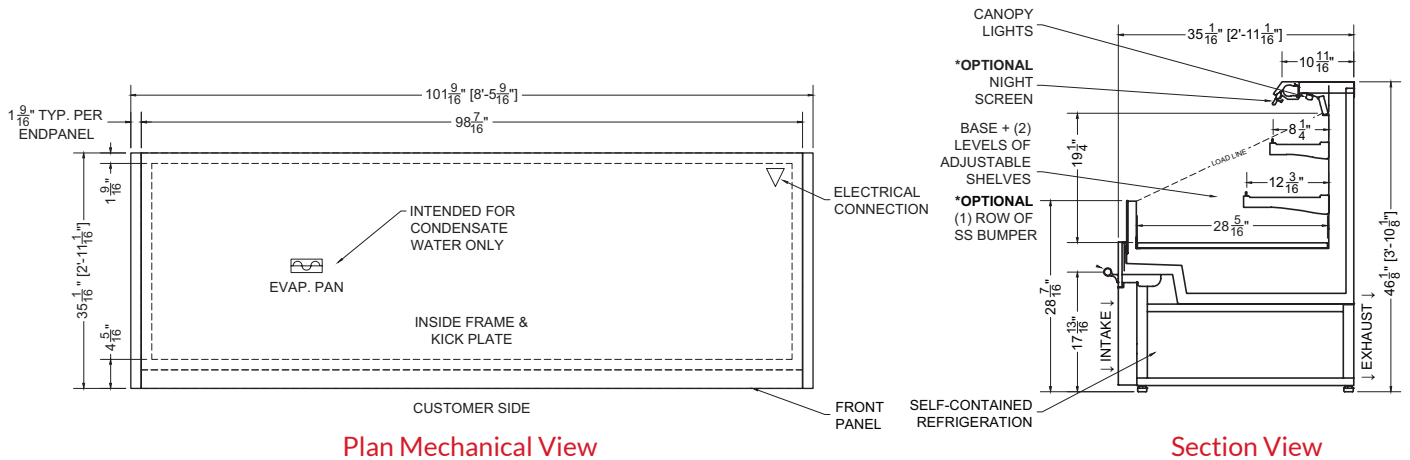




08.2-ODC-46AN-S | Marquette Open Deck Merchandiser

QTY	DESCRIPTION	PART NUMBER	VOLTAGE	PHASE	AMPS	TOTAL AMPS
6	45" LED 4000K, 24V	LG-FX-XXX-X	115V	1	0.50	3.00
4	EVAPORATOR FAN	AFXXX	115V	1	0.08	0.32
1	COMPRESSOR	---	115V	1	11.76	11.76
2	CONDENSER COIL FAN MOTOR	---	115V	1	0.20	0.40
1	EVAP PAN	---	115V	1	9.57	9.57

CIRCUIT#1 **TOTAL AMPS:** 25.05 **VOLTAGE:** 115/1/60 **CONNECTION:** 5-30P
MODEL: ODC-46AN **APPLICATION:** DELI **BTUH:** 7251 **EVAP TEMP:** 14°F
DEFROST: TIME-OFF, 4/45MIN, 50° TEMP TERMINATION **PACKOUT VOLUME:** 22.48 CUBIC FT.
* R290 (PROPANE) REFRIGERATION AVAILABLE **INTERNAL VOLUME:** 28.51 CUBIC FT.



For more information on the Marquette Open Deck Merchandiser, contact one of our **Southern CaseArts** representatives or check out our website to learn more about all of the products offered by **Southern CaseArts**.