



Ozark
Service Merchandiser | Cold
SCS-47ASBF-R & SCS-49ASIF-R



southerncasearts.com | 800.552.6283



OVERVIEW



The **Ozark Service Merchandiser** from **Southern CaseArts** is sure to become a reliable favorite in your store. Available in five lengths and two style options, this case provides energy efficiency and maximum packout. The **Ozark** features LED canopy lighting, full view tempered glass to really showcase meats, cheese, produce, sandwiches, deli and dairy.

STANDARD FEATURES

- **Nominal Length:** 3.1', 4.1', 6.2', 8.2' & 12.3'
- **Interior Lighting:** 2700K LED lights
- **Exterior:** Tempered glass, black powder coat and stainless steel

PRODUCT CATEGORIES



Meat



Deli



Cheese/
Dairy



Milk



Produce



Snacks/
Sandwiches

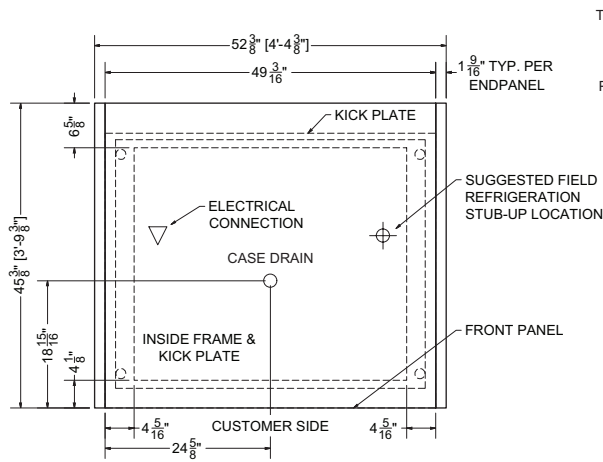
04.1-SCS-47ASBF-R | Ozark Service Merchandiser

QTY	DESCRIPTION	PART NUMBER	VOLTAGE	PHASE	AMPS	TOTAL AMPS
1	45" LED 2700K, 24V	LG-FX-XXX-X	115V	1	0.50	0.50
1	EVAPORATOR FAN	AFXXX	115V	1	0.20	0.20
1	AIR SWEEP FAN	AFXXX	115V	1	0.08	0.08

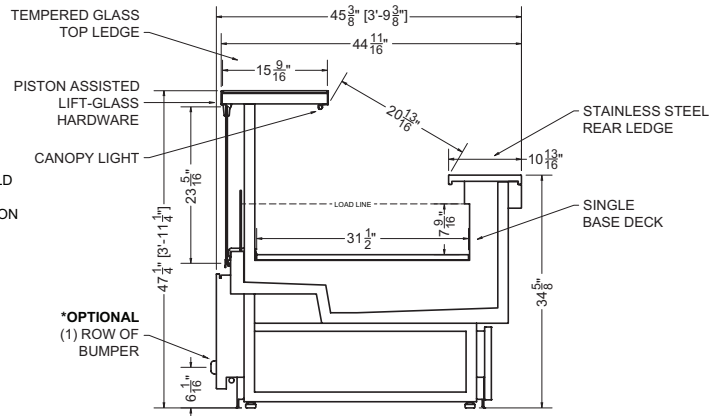
CIRCUIT#1 (LIGHTS) **TOTAL AMPS:** 0.50 **VOLTAGE:** 115/1/60 **CONNECTION:** HARDWIRED
 CIRCUIT#2 (FANS) **TOTAL AMPS:** 0.20 **VOLTAGE:** 115/1/60 **CONNECTION:** HARDWIRED
 CIRCUIT#3 (ANTI-COND.) **TOTAL AMPS:** 0.08 **VOLTAGE:** 115/1/60 **CONNECTION:** HARDWIRED
MODEL: SCS-47ASBF **APPLICATION:** FRESH MEAT **BTUH:** 1919 **EVAP TEMP:** 14°F
DEFROST: TIME-OFF, 4/45MIN, 50° TEMP TERMINATION

PACKOUT VOLUME: 6.79 CUBIC FT.
INTERNAL VOLUME: 19.03 CUBIC FT.





Plan Mechanical View



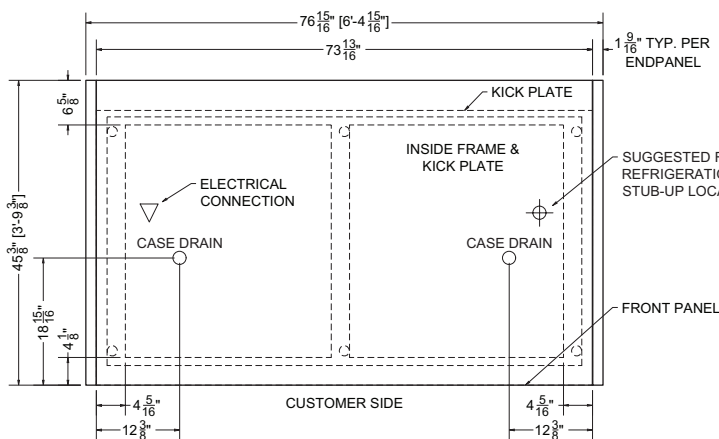
Section View

06.2-SCS-47ASBF-R | Ozark Service Merchandiser

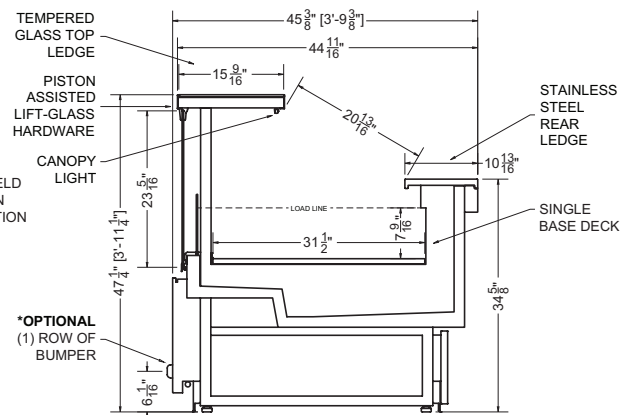
QTY	DESCRIPTION	PART NUMBER	VOLTAGE	PHASE	AMPS	TOTAL AMPS
2	34" LED 2700K, 24V	LG-FX-XXX-X	115V	1	0.38	0.75
2	EVAPORATOR FAN	AFXXX	115V	1	0.20	0.40
2	AIR SWEEP FAN	AFXXX	115V	1	0.08	0.16

CIRCUIT#1 (LIGHTS) **TOTAL AMPS: 0.75** **VOLTAGE: 115/1/60** **CONNECTION: HARDWIRED**
 CIRCUIT#2 (FANS) **TOTAL AMPS: 0.40** **VOLTAGE: 115/1/60** **CONNECTION: HARDWIRED**
 CIRCUIT#3 (ANTI-COND.) **TOTAL AMPS: 0.16** **VOLTAGE: 115/1/60** **CONNECTION: HARDWIRED**
 MODEL: SCS-47ASBF **APPLICATION: FRESH MEAT** **BTUH: 2879** **EVAP TEMP: 14°F**
DEFROST: TIME-OFF, 4/45MIN, 50° TEMP TERMINATION

PACKOUT VOLUME: 10.19 CUBIC FT.
INTERNAL VOLUME: 28.55 CUBIC FT.



Plan Mechanical View



Section View

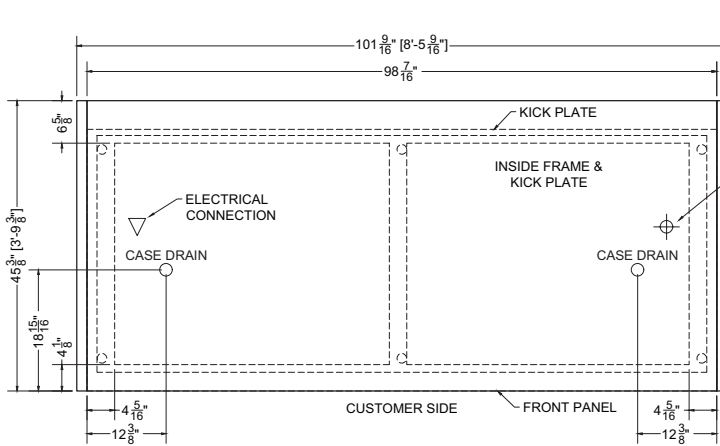


08.2-SCS-47ASBF-R | Ozark Service Merchandiser

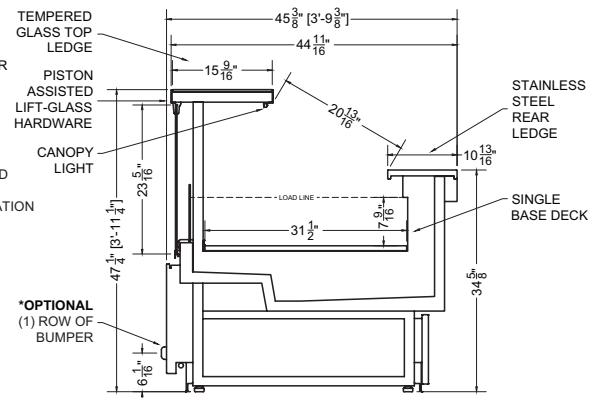
QTY	DESCRIPTION	PART NUMBER	VOLTAGE	PHASE	AMPS	TOTAL AMPS
2	45" LED 2700K, 24V	LG-FX-XXX-X	115V	1	0.50	1.00
2	EVAPORATOR FAN	AFXXX	115V	1	0.20	0.40
2	AIR SWEEP FAN	AFXXX	115V	1	0.08	0.16

CIRCUIT#1 (LIGHTS) **TOTAL AMPS: 1.00** **VOLTAGE: 115/1/60** **CONNECTION: HARDWIRED**
 CIRCUIT#2 (FANS) **TOTAL AMPS: 0.40** **VOLTAGE: 115/1/60** **CONNECTION: HARDWIRED**
 CIRCUIT#3 (ANTI-COND.) **TOTAL AMPS: 0.16** **VOLTAGE: 115/1/60** **CONNECTION: HARDWIRED**
MODEL: SCS-47ASBF **APPLICATION: FRESH MEAT** **BTUH: 3839** **EVAP TEMP: 14°F**
DEFROST: TIME-OFF, 4/45MIN, 50° TEMP TERMINATION

PACKOUT VOLUME: 13.59 CUBIC FT.
INTERNAL VOLUME: 38.06 CUBIC FT.



Plan Mechanical View



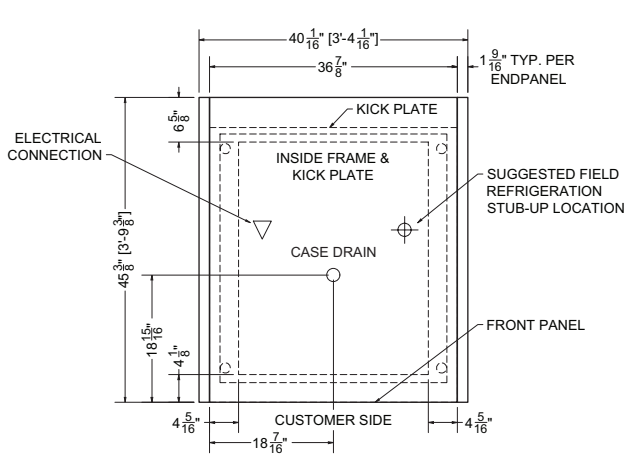
Section View

03.1-SCS-49ASIF-R | Ozark Service Merchandiser

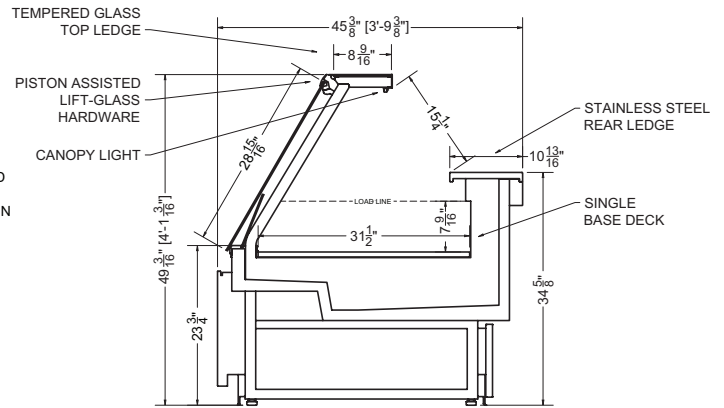
QTY	DESCRIPTION	PART NUMBER	VOLTAGE	PHASE	AMPS	TOTAL AMPS
1	34" LED 2700K, 24V	LG-FX-XXX-X	115V	1	0.38	0.38
1	EVAPORATOR FAN	AFXXX	115V	1	0.20	0.20
1	AIR SWEEP FAN	AFXXX	115V	1	0.08	0.08

CIRCUIT#1 (LIGHTS) **TOTAL AMPS: 0.38** **VOLTAGE: 115/1/60** **CONNECTION: HARDWIRED**
 CIRCUIT#2 (FANS) **TOTAL AMPS: 0.20** **VOLTAGE: 115/1/60** **CONNECTION: HARDWIRED**
 CIRCUIT#3 (ANTI-COND.) **TOTAL AMPS: 0.08** **VOLTAGE: 115/1/60** **CONNECTION: HARDWIRED**
MODEL: SCS-49ASIF **APPLICATION: FRESH MEAT** **BTUH: 1439** **EVAP TEMP: 14°F**
DEFROST: TIME-OFF, 4/45MIN, 50° TEMP TERMINATION

PACKOUT VOLUME: 4.86 CUBIC FT.
INTERNAL VOLUME: 13.07 CUBIC FT.



Plan Mechanical View



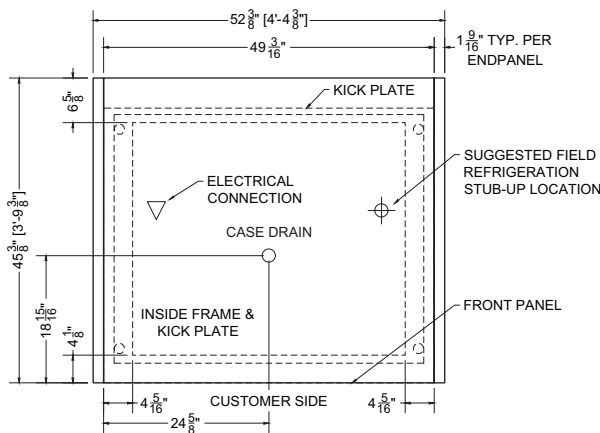
Section View

04.1-SCS-49ASIF-R | Ozark Service Merchandiser

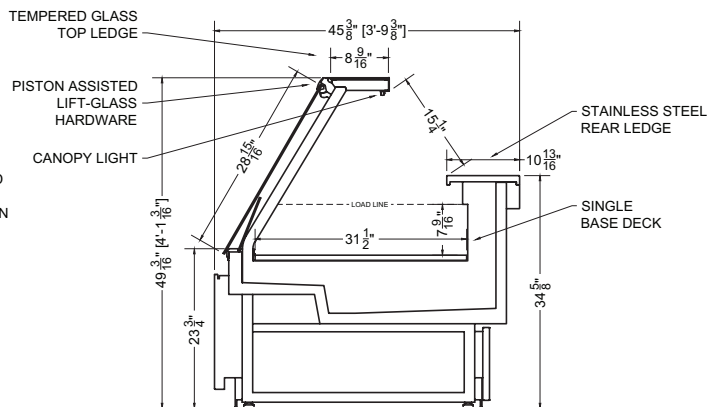
QTY	DESCRIPTION	PART NUMBER	VOLTAGE	PHASE	AMPS	TOTAL AMPS
1	45" LED 2700K, 24V	LG-FX-XXX-X	115V	1	0.50	0.50
1	EVAPORATOR FAN	AFXXX	115V	1	0.20	0.20
1	AIR SWEEP FAN	AFXXX	115V	1	0.08	0.08

CIRCUIT#1 (LIGHTS) TOTAL AMPS: 0.50 VOLTAGE: 115/1/60 CONNECTION: HARDWIRED
 CIRCUIT#2 (FANS) TOTAL AMPS: 0.20 VOLTAGE: 115/1/60 CONNECTION: HARDWIRED
 CIRCUIT#3 (ANTI-COND.) TOTAL AMPS: 0.08 VOLTAGE: 115/1/60 CONNECTION: HARDWIRED
 MODEL: SCS-49ASIF APPLICATION: FRESH MEAT BTUH: 1919 EVAP TEMP: 14°F
 DEFROST: TIME-OFF, 4/45MIN, 50° TEMP TERMINATION

PACKOUT VOLUME: 6.48 CUBIC FT.
 INTERNAL VOLUME: 17.43 CUBIC FT.



Plan Mechanical View



Section View

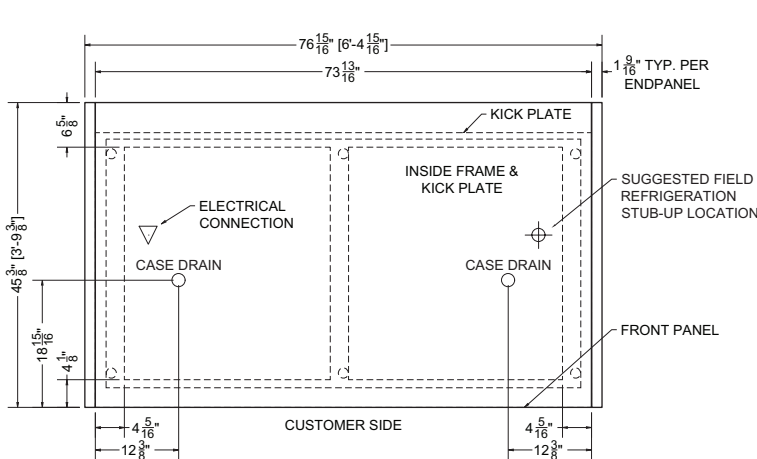


06.2-SCS-49ASIF-R | Ozark Service Merchandiser

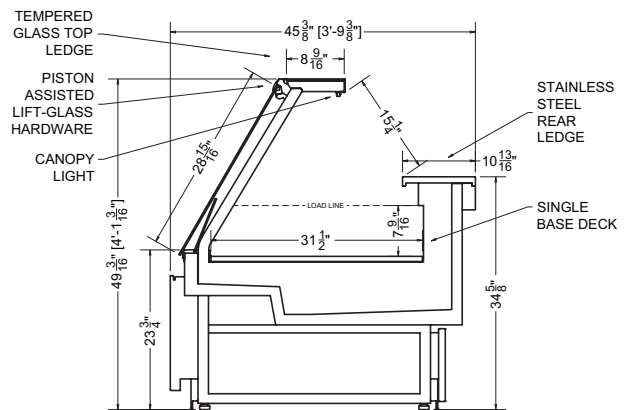
QTY	DESCRIPTION	PART NUMBER	VOLTAGE	PHASE	AMPS	TOTAL AMPS
2	34" LED 2700K, 24V	LG-FX-XXX-X	115V	1	0.38	0.75
2	EVAPORATOR FAN	AFXXX	115V	1	0.20	0.40
2	AIR SWEEP FAN	AFXXX	115V	1	0.08	0.16

CIRCUIT#1 (LIGHTS) **TOTAL AMPS:** 0.75 **VOLTAGE:** 115/1/60 **CONNECTION:** HARDWIRED
 CIRCUIT#2 (FANS) **TOTAL AMPS:** 0.40 **VOLTAGE:** 115/1/60 **CONNECTION:** HARDWIRED
 CIRCUIT#3 (ANTI-COND.) **TOTAL AMPS:** 0.16 **VOLTAGE:** 115/1/60 **CONNECTION:** HARDWIRED
MODEL: SCS-49ASIF **APPLICATION:** FRESH MEAT **BTUH:** 2879 **EVAP TEMP:** 14°F
DEFROST: TIME-OFF, 4/45MIN, 50° TEMP TERMINATION

PACKOUT VOLUME: 9.72 CUBIC FT.
INTERNAL VOLUME: 26.12 CUBIC FT.



Plan Mechanical View



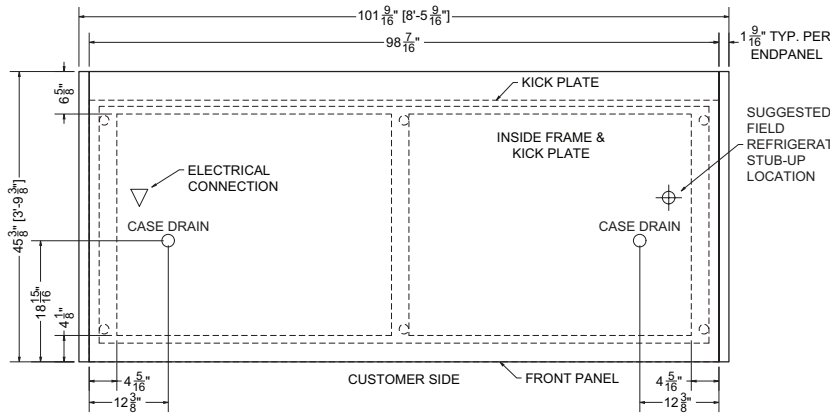
Section View

08.2-SCS-49ASIF-R | Ozark Service Merchandiser

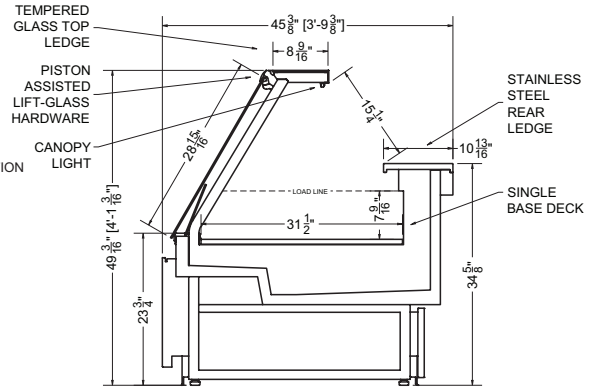
QTY	DESCRIPTION	PART NUMBER	VOLTAGE	PHASE	AMPS	TOTAL AMPS
2	45" LED 2700K, 24V	LG-FX-XXX-X	115V	1	0.50	1.00
2	EVAPORATOR FAN	AFXXX	115V	1	0.20	0.40
2	AIR SWEEP FAN	AFXXX	115V	1	0.08	0.16

CIRCUIT#1 (LIGHTS) **TOTAL AMPS:** 1.00 **VOLTAGE:** 115/1/60 **CONNECTION:** HARDWIRED
 CIRCUIT#2 (FANS) **TOTAL AMPS:** 0.40 **VOLTAGE:** 115/1/60 **CONNECTION:** HARDWIRED
 CIRCUIT#3 (ANTI-COND.) **TOTAL AMPS:** 0.16 **VOLTAGE:** 115/1/60 **CONNECTION:** HARDWIRED
MODEL: SCS-49ASIF **APPLICATION:** FRESH MEAT **BTUH:** 3839 **EVAP TEMP:** 14°F
DEFROST: TIME-OFF, 4/45MIN, 50° TEMP TERMINATION

PACKOUT VOLUME: 12.95 CUBIC FT.
INTERNAL VOLUME: 34.86 CUBIC FT.



Plan Mechanical View



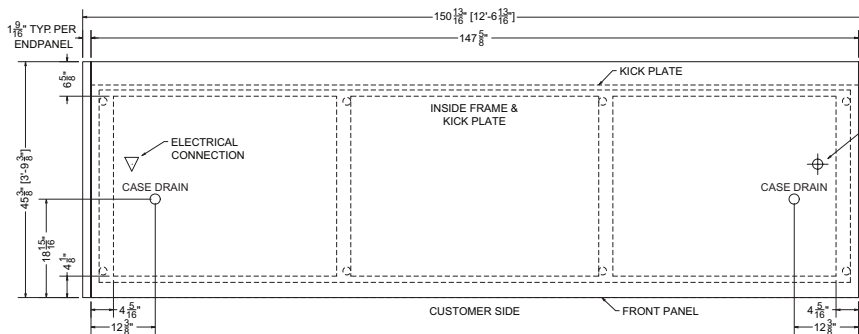
Section View

12.3-SCS-49ASIF-R | Ozark Service Merchandiser

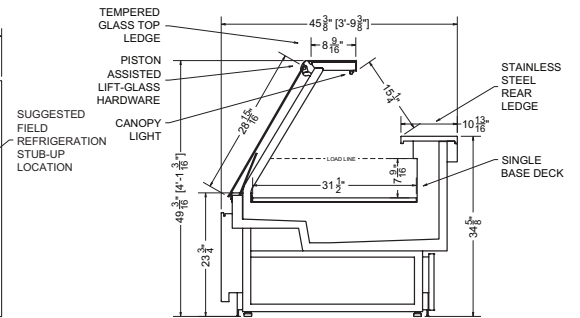
QTY	DESCRIPTION	PART NUMBER	VOLTAGE	PHASE	AMPS	TOTAL AMPS
2	45" LED 2700K, 24V	LG-FX-XXX-X	115V	1	0.50	1.50
2	EVAPORATOR FAN	AFXXX	115V	1	0.20	0.60
2	AIR SWEEP FAN	AFXXX	115V	1	0.08	0.24

CIRCUIT#1 (LIGHTS) TOTAL AMPS: 1.50 VOLTAGE: 115/1/60 CONNECTION: HARDWIRED
 CIRCUIT#2 (FANS) TOTAL AMPS: 0.60 VOLTAGE: 115/1/60 CONNECTION: HARDWIRED
 CIRCUIT#3 (ANTI-COND.) TOTAL AMPS: 0.24 VOLTAGE: 115/1/60 CONNECTION: HARDWIRED
 MODEL: SCS-49ASIF APPLICATION: FRESH MEAT BTUH: 5758 EVAP TEMP: 14°F
 DEFROST: TIME-OFF, 4/45MIN, 50° TEMP TERMINATION

PACKOUT VOLUME: 19.43 CUBIC FT.
 INTERNAL VOLUME: 52.29 CUBIC FT.



Plan Mechanical View



Section View

For more information on the Ozark Service Merchandiser, contact one of our Southern CaseArts representatives or check out our website to learn more about all of the products offered by Southern CaseArts.