



Seneca
Food Service Island | Hot
FSE-CHSI-H

southerncasearts.com | 800.552.6283



OVERVIEW

The **Seneca Food Service Island** from **Southern CaseArts** is the perfect choice for hot soup. Customers will love the variety of soups available with six soup warmers along with the convenience of having 3 built-in cup dispensers, 2 utility cups and a napkin dispenser all at their fingertips. This energy efficient soup island also features hinged doors around the perimeter and hinged lids on the 11 quart soup pots.

STANDARD FEATURES

- **Nominal Length:** 5.0'
- **Soup Wells:** (6) 11 quart capacity
- **Exterior:** Black powder coat
- **Optional:** Fixed height food shield available

PRODUCT CATEGORIES

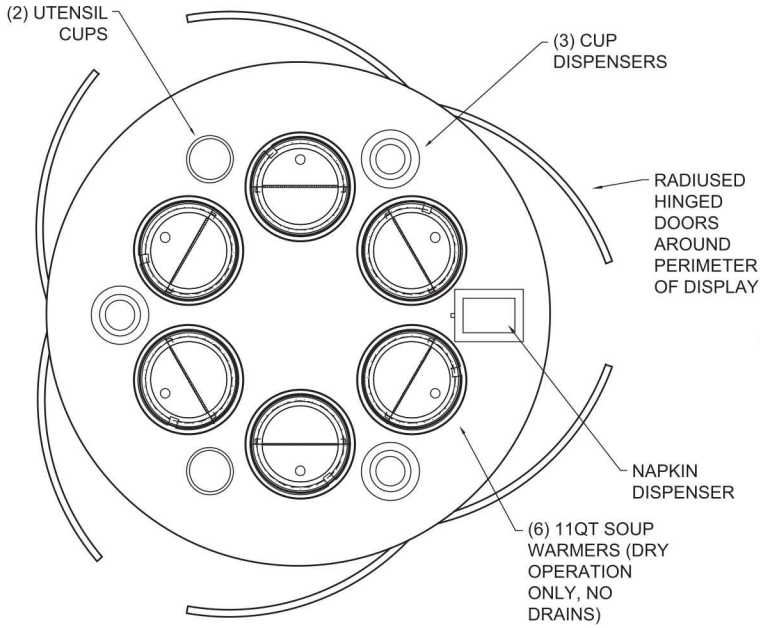


Hot Food

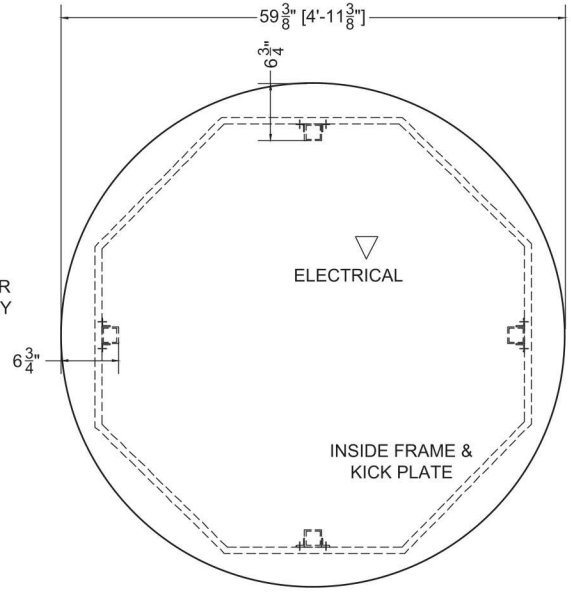
05.0-FSE-CHSI-H | Seneca Food Service Island

QTY	DESCRIPTION	PART NUMBER	VOLTAGE	PHASE	AMPS	TOTAL AMPS
6	11QT SOUP WARMER, NO DRAIN	FS-HT-0836-A06-A	208V	1	1.80	10.80
CIRCUIT#1		TOTAL AMPS: 10.80	VOLTAGE: 208-230/1/60		CONNECTION: HARDWIRED	

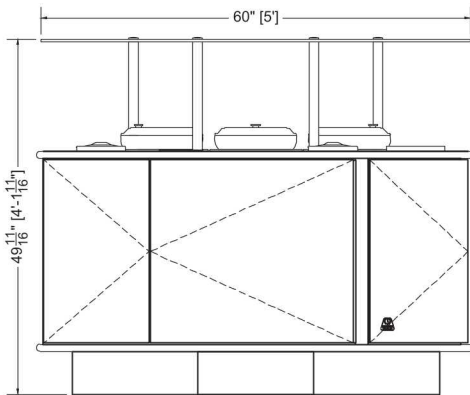




Plan View

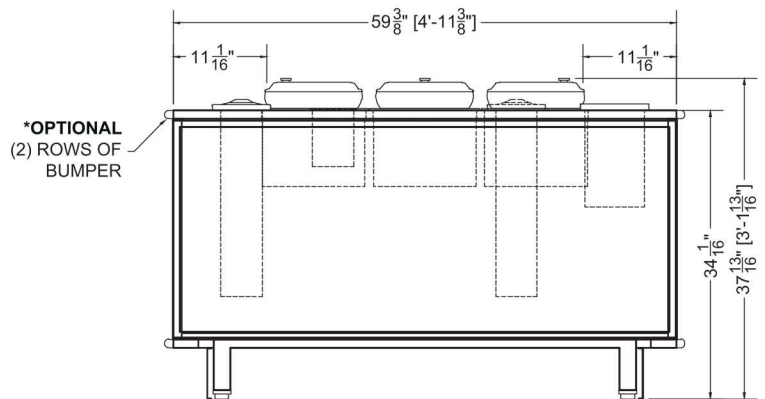


Plan Mechanical View



Front View

(Shown with optional fixed height food shield)



Section View



CONFORMS TO UL STD 197.
CONFORMS TO NSF STD 4.
CERTIFIED TO CAN/CSA STD C22.2 NO. 120.

For more information on the Seneca Food Service Island, contact one of our Southern CaseArts representatives or check out our website to learn more about all of the products offered by Southern CaseArts.