



Teton
Olive Bar | Cold
07.5-OVB-S-S



southerncasearts.com | 800.552.6283



OVERVIEW



The **Teton Olive Bar** from **Southern CaseArts** is the ideal olive merchandiser. Customers will love the variety of merchandise you can offer in this attractive service bar featuring a refrigerated well capacity for (18) half size pans and LED lighting in the canopy. The self-contained **Teton** design also includes raised center pans and a flat packaging ledge for added convenience.

STANDARD FEATURES

- **Nominal Length:** 7.5'
- **Interior Lighting:** 3500K LED lights
- **Interior:** Stainless steel
- Self-contained
- **Exterior:** Black powder coat

PRODUCT CATEGORIES



Salad/Olives

07.5-OVB-S-S | Teton Olive Bar

QTY	DESCRIPTION	PART NUMBER	VOLTAGE	PHASE	AMPS	TOTAL AMPS
2	34" LED 3500K, FROSTED, 24V	LG-FX-XXX-X	115V	1	0.07	0.14
2	40" LED 3500K, FROSTED, 24V	LG-FX-XXX-X	115V	1	0.08	0.16
3	EVAPORATOR FAN	RF-FA-XXXX	115V	1	0.17	0.51
1	CONDENSING UNIT	RF-CU-0384-A	208/230V	1	7.60	7.60
1	CONDENSATE EVAP PAN / 1500W / FULL	EL-EV-XXXX	208V	1	7.21	7.21

CIRCUIT#1

TOTAL AMPS: 15.62

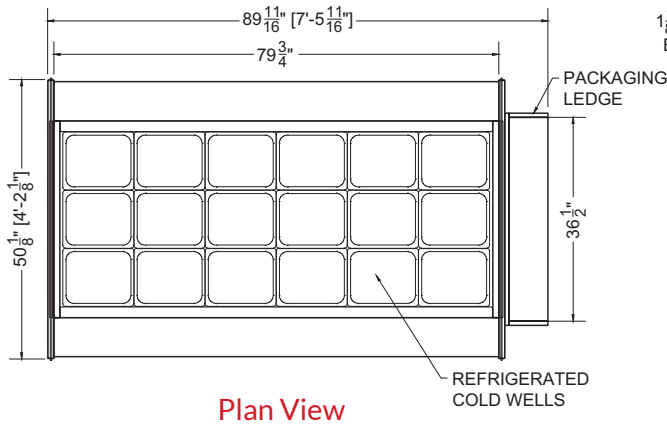
VOLTAGE: 208-230/1/60, 3-WIRE

CONNECTION: L14-20P

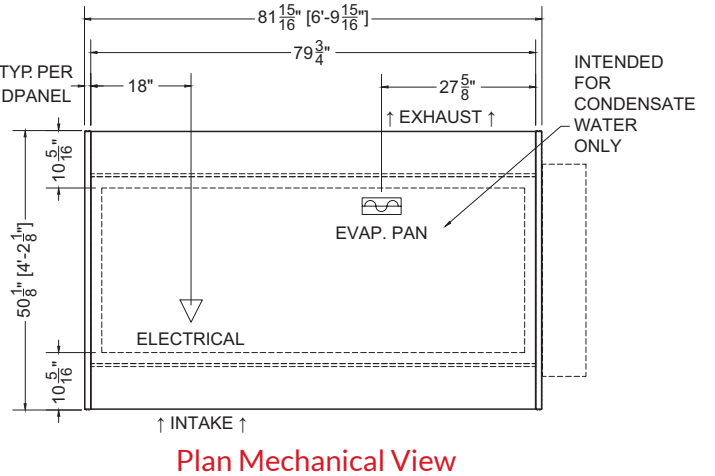
PACKOUT VOLUME: 8.83 CUBIC FT.

INTERNAL VOLUME: 9.63 CUBIC FT.

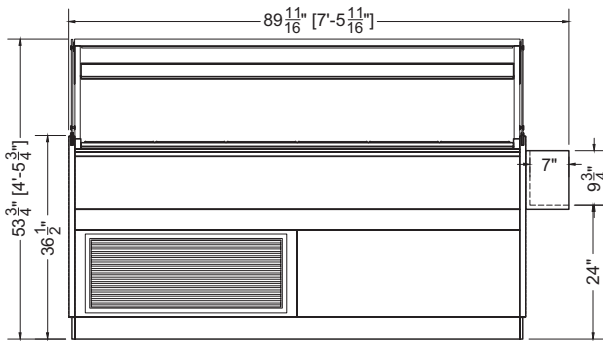




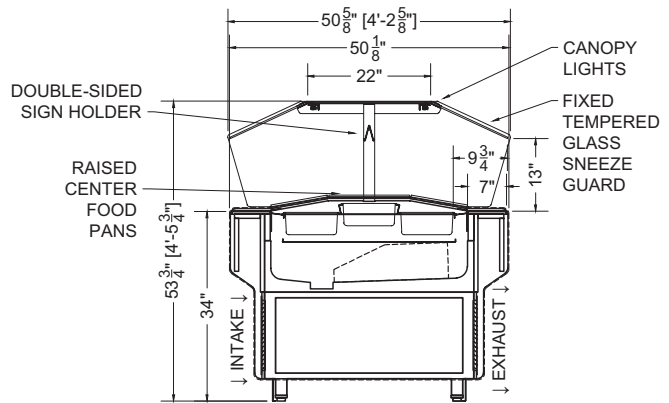
Plan View



Plan Mechanical View



Front View



Section View



CONFORMS TO UL STD 471.
 CONFORMS TO NSF STD 7.
 CERTIFIED TO CAN/CSA STD C22.2 NO. 120.

For more information on the Teton Olive Bar, contact one of our Southern CaseArts representatives or check out our website to learn more about all of the products offered by Southern CaseArts.