



**Willow**  
**Produce Merchandiser | Cold**  
**FLX-PX02-S**



southerncasearts.com | 800.552.6283



**OVERVIEW**



The **Willow Produce Merchandiser** from **Southern CaseArts** offers convenience and flexibility to your produce department. This self-contained case includes an adjustable wire base and an adjustable shelf to provide maximum display area for your fresh fruits and vegetables. Customers will love the attractive open display and you will love that it can be easily moved throughout the department for seasonal merchandising.

**STANDARD FEATURES**

- **Nominal Length:** 6.0' & 7.8'
- **Shelves:** 1 adjustable shelf and an adjustable wire base
- Locking casters
- Self-contained
- **Exterior:** Black powder coat & wood

**PRODUCT CATEGORIES**



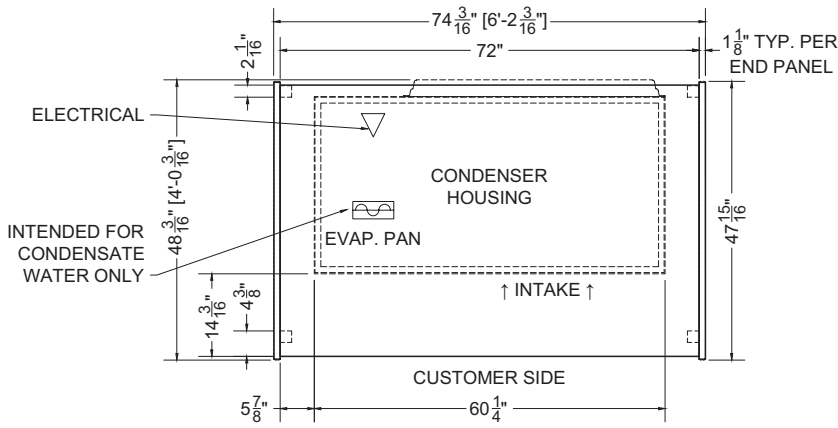
Produce

06.0-FLX-PX02-S | Willow Produce Merchandiser

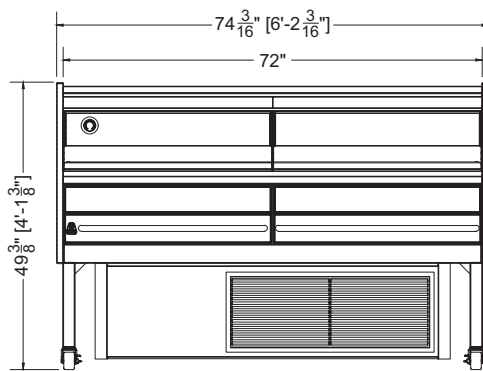
QTY	DESCRIPTION	PART NUMBER	VOLTAGE	PHASE	AMPS	TOTAL AMPS
2	EVAPORATOR FAN	RF-FA-XXXX	115V	1	0.17	0.34
1	CONDENSING UNIT	RF-CU-0383-A	115V	1	12.10	12.10
1	CONDENSATE EVAP PAN / 800W / FULL	EL-EV-XXXX	115V	1	6.67	6.67

CIRCUIT#1      TOTAL AMPS: 19.11      VOLTAGE: 115/1/60      CONNECTION: L5-30P  
PACKOUT VOLUME: 14.43 CUBIC FT.  
INTERNAL VOLUME: 18.62 CUBIC FT.

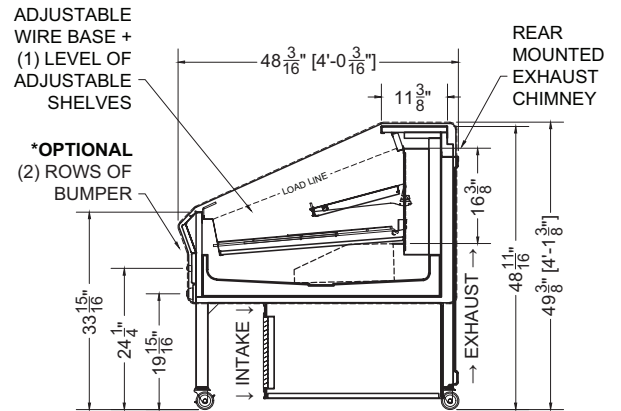




Plan Mechanical View



Front View

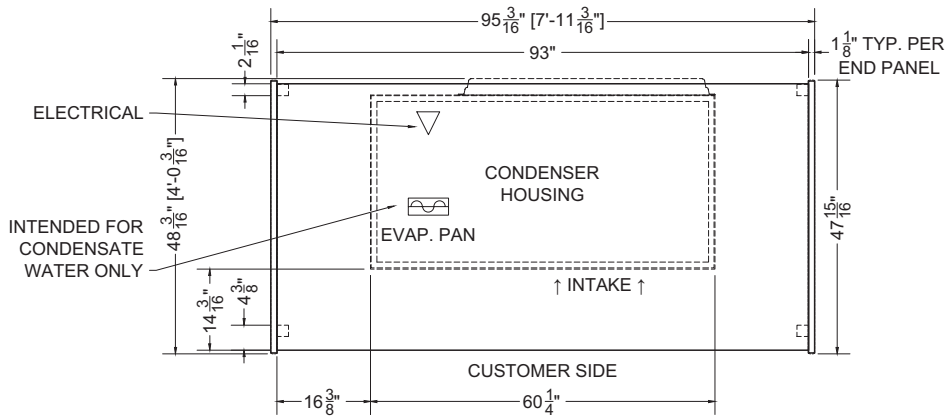


Section View

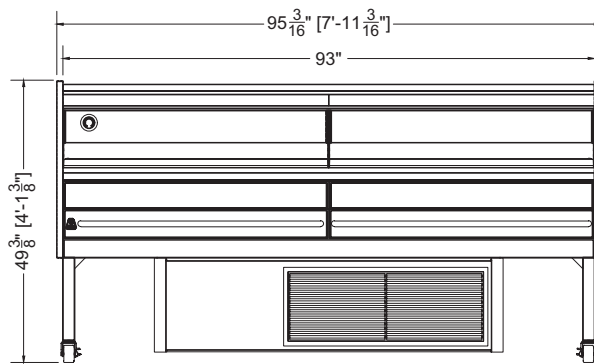
07.8-FLX-PX02-S | Willow Produce Merchandiser

QTY	DESCRIPTION	PART NUMBER	VOLTAGE	PHASE	AMPS	TOTAL AMPS
3	EVAPORATOR FAN	RF-FA-XXXX	115V	1	0.17	0.51
1	CONDENSING UNIT	RF-CU-0383-A	115V	1	12.10	12.10
1	CONDENSATE EVAP PAN / 1200W / FULL	EL-EV-XXXX	115V	1	10.00	10.00

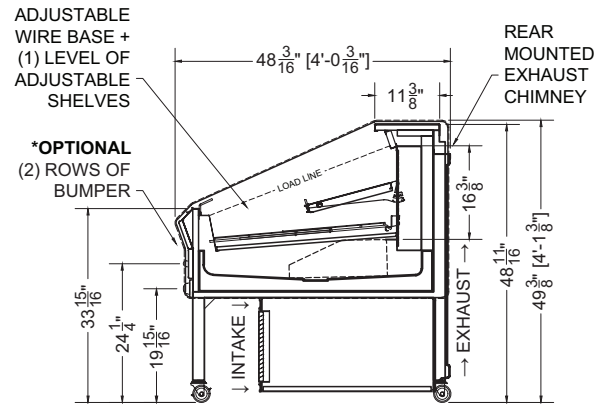
CIRCUIT#1 TOTAL AMPS: 22.61 VOLTAGE: 115/1/60 CONNECTION: L5-30P  
 PACKOUT VOLUME: 18.64 CUBIC FT.  
 INTERNAL VOLUME: 24.06 CUBIC FT.



Plan Mechanical View



Front View



Section View



CONFORMS TO UL STD 471.  
 CONFORMS TO NSF STD 7.  
 CERTIFIED TO CAN/CSA STD C22.2 NO. 120.

For more information on the Willow Produce Merchandiser, contact one of our Southern CaseArts representatives or check out our website to learn more about all of the products offered by Southern CaseArts.