



Denali
Produce Merchandiser | Cold
LMRM-HA2-S



southerncasearts.com | 800.552.6283



OVERVIEW



The **Denali Produce Merchandiser** from **Southern CaseArts** offers convenience and flexibility to your produce department. This self-contained case is available in two lengths with a variety of optional removable step risers, dividers or shelves to provide maximum display area for your fresh fruits and vegetables. Customers will love the attractive open display and you will love that it can be easily moved throughout the department for seasonal merchandising.

STANDARD FEATURES

- **Nominal Length:** 5.8' & 7.8'
- **Interior Lighting:** Optional 3500K LED canopy light
- **Shelving:** Optional four or six-step riser, modular divider, or modular shelves
- **Self-Contained**
- **Exterior:** Black powder coat

PRODUCT CATEGORIES



Meat



Deli



Cheese/
Dairy



Produce



Snacks/
Sandwiches



Prepared
Food

05.8-LMRM-HA2-S | Denali Produce Merchandiser

QTY	DESCRIPTION	PART NUMBER	VOLTAGE	PHASE	AMPS	TOTAL AMPS
2	29" LED 3500K, FROSTED, 24V	LG-FX-XXX-X	115V	1	0.05	0.10
3	EVAPORATOR FAN	RF-FA-XXXX	115V	1	0.17	0.51
1	CONDENSING UNIT	RF-CU-0383-A	115V	1	12.10	12.10
1	CONDENSATE EVAP PAN / 800W / FULL	EL-EV-XXXX	115V	1	6.67	6.67

CIRCUIT#1

TOTAL AMPS: 19.38

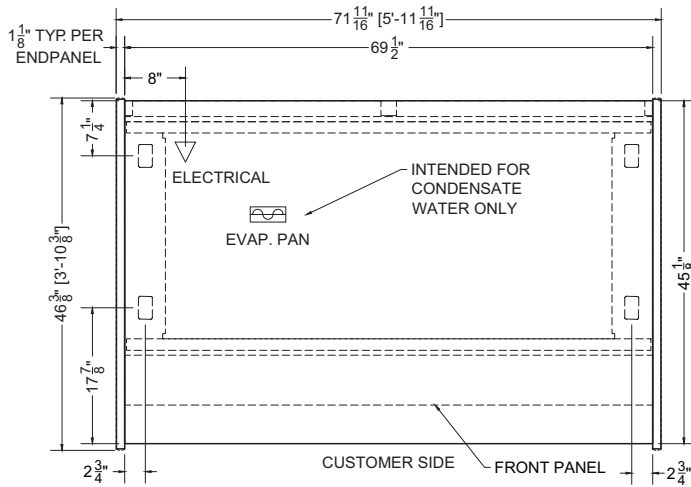
VOLTAGE:115/1/60

CONNECTION: L5-30P

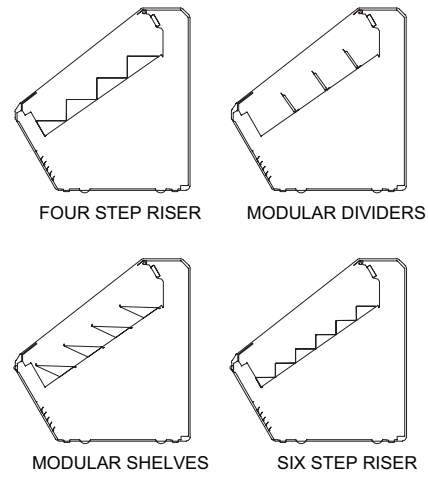
PACKOUT VOLUME: 11.50 CUBIC FT.

INTERNAL VOLUME: 18.21 CUBIC FT.

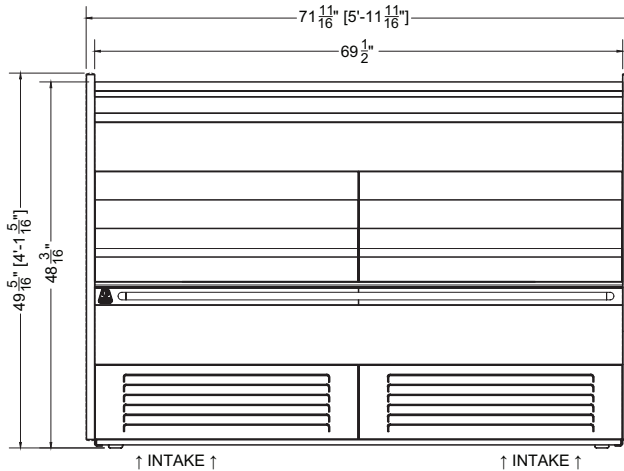




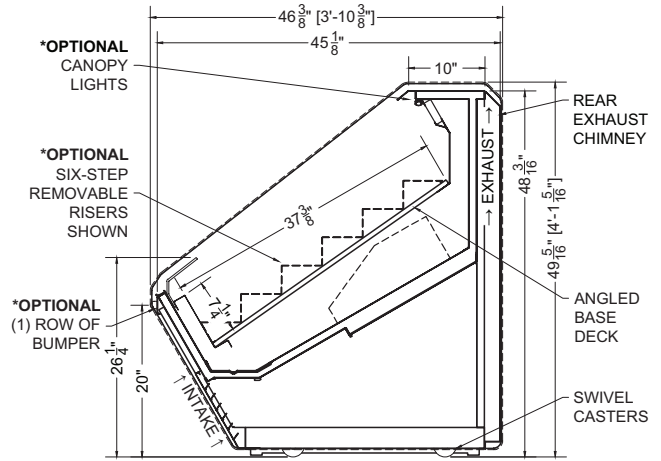
Plan Mechanical View



Riser Options



Front View

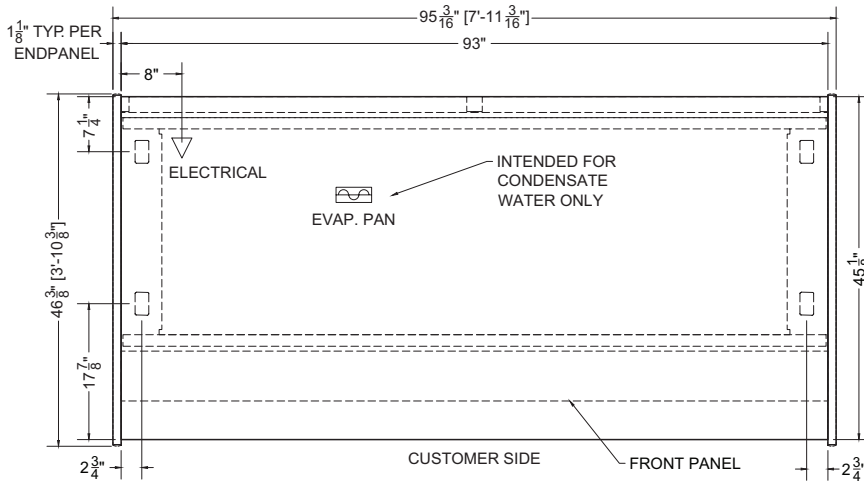


Section View

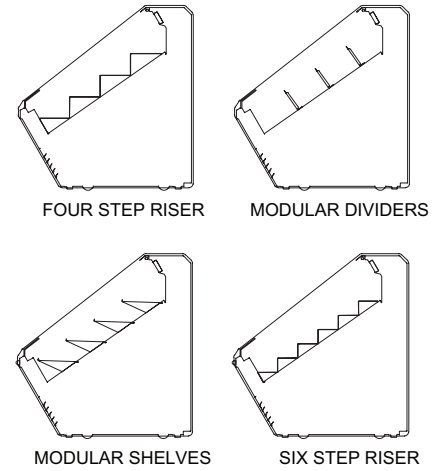
07.8-LMRM-HA2-S | Denali Produce Merchandiser

QTY	DESCRIPTION	PART NUMBER	VOLTAGE	PHASE	AMPS	TOTAL AMPS
1	40" LED 3500K, FROSTED, 24V	LG-FX-XXX-X	115V	1	0.08	0.08
1	45" LED 3500K, FROSTED, 24V	LG-FX-XXX-X	115V	1	0.09	0.09
4	EVAPORATOR FAN	RF-FA-XXXX	115V	1	0.17	0.68
1	CONDENSING UNIT	RF-CU-0473-A	115V	1	12.20	12.20
1	CONDENSATE EVAP PAN / 1200W / FULL	EL-EV-XXXX	115V	1	10.00	10.00

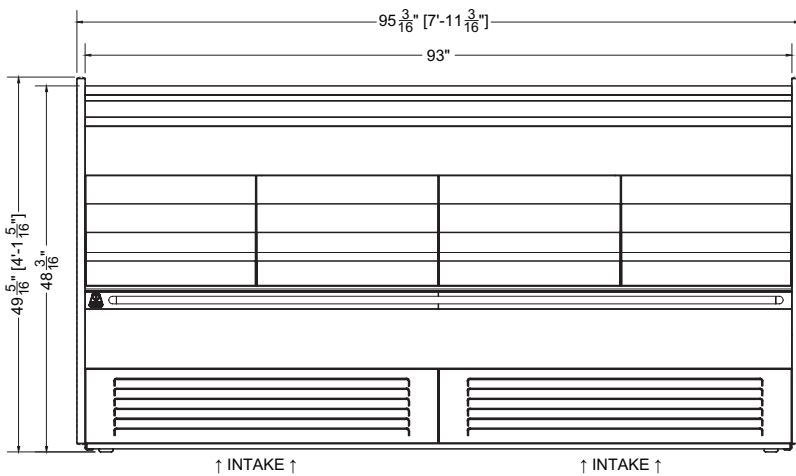
CIRCUIT#1 TOTAL AMPS: 23.05 VOLTAGE: 115/1/60 CONNECTION: L5-30P
 PACKOUT VOLUME: 15.39 CUBIC FT.
 INTERNAL VOLUME: 24.37 CUBIC FT.



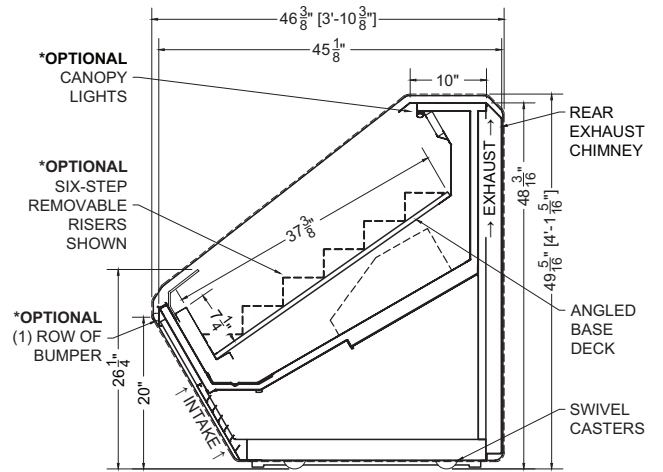
Plan Mechanical View



Riser Options



Front View



Section View



CONFORMS TO UL STD 471.
 CONFORMS TO NSF STD 7.
 CERTIFIED TO CAN/CSA STD C22.2 NO. 120.

For more information on the Denali Produce Merchandiser, contact one of our Southern CaseArts representatives or check out our website to learn more about all of the products offered by Southern CaseArts.



southerncasearts.com

© 2024 Southern CaseArts. All rights reserved. Information and specifications subject to change without notice. All values are design or typical values when measured under laboratory conditions.